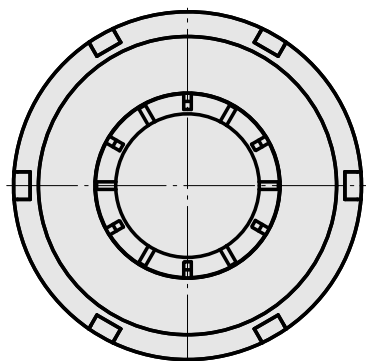
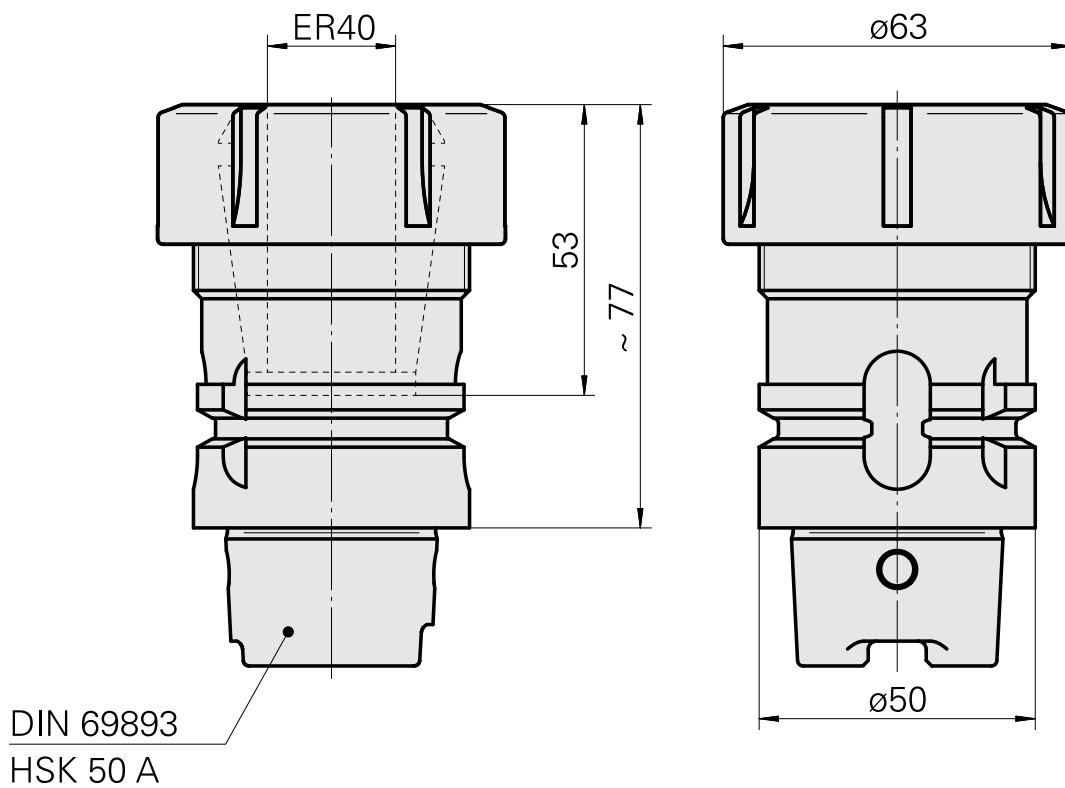
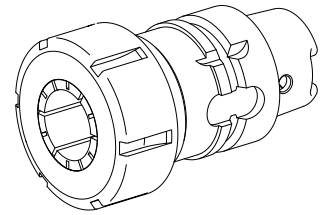


Drilling tool holder HSK 50 A ER40

Technical data

| | |
|----------------------|--------------|
| Shank HSK | HSK 50 |
| Form HSK | A |
| Mounting | ER40 |
| Cooling | internal |
| Pressure | 40 bar |
| X [mm] | 94.5 (3.72") |
| INDEX TRAUB products | G250 |



Documents

No downloads available for this product

Accessories

Required for operation

[Spanner](#)

Product ID : 10474438

Previous product ID : 490219.0401

| | | | |
|--|------------------|----------------------|------------------------------------|
| TH accessories category Tool | Mounting ER40 | Collet type ER 40 | Clamping nut type Female thread |
| Tools for Collet chucks Clamping nut wrench | | | |

[Socket wrench](#)

Product ID : 11033867

Previous product ID : WS7600.0010

| | |
|---|----------------------|
| TH accessories category Tool for KSS adapter | Mounting HSK 50 C |
|---|----------------------|

Optional accessories

Tool holder accessories

[Clamping nut](#)

Product ID : 11029703

Previous product ID : 901939.0401

| | | | |
|---|------------------|----------------------|------------------------------------|
| TH accessories category Clamping nut | Mounting ER40 | Collet type ER 40 | Clamping nut type Female thread |
|---|------------------|----------------------|------------------------------------|

[Coolant adapter kit](#)

Product ID : 10851451

Previous product ID : WS7600.0020

TH accessories
category
Cooling lubricant
transfer set

Mounting
HSK 50 C

Other accessories

[Clamping collet](#)

Product ID : 10146045

Previous product ID : 901930.4---
