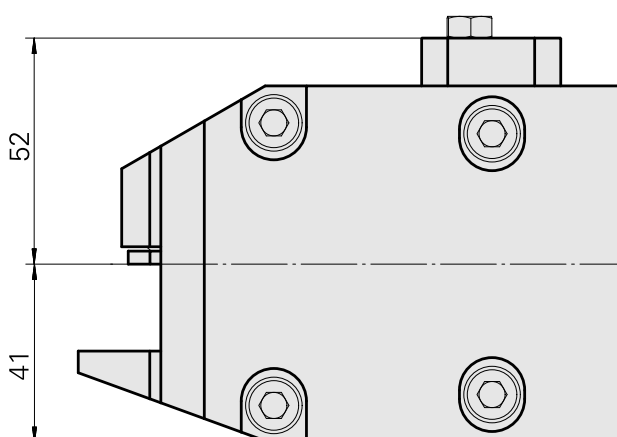
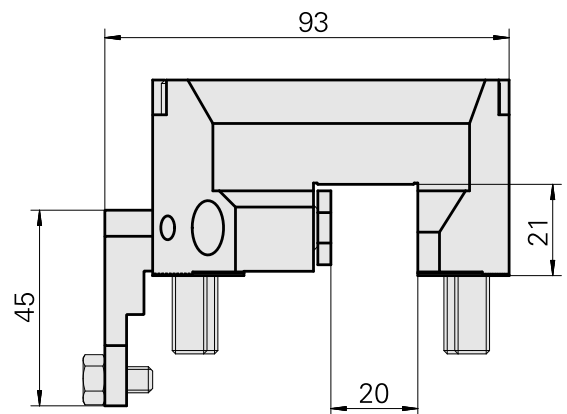
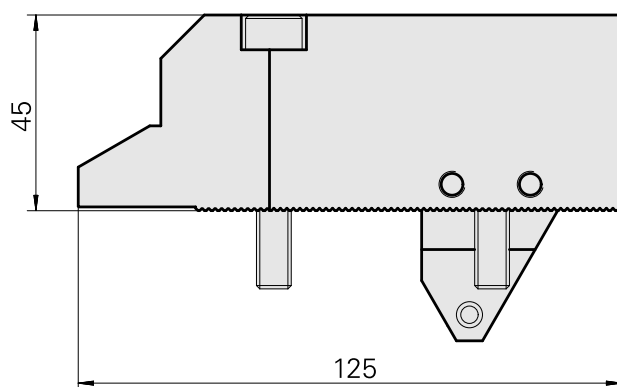
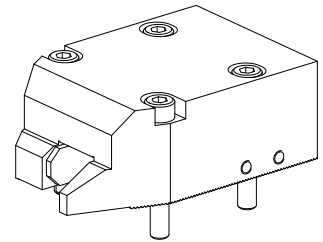


Grooving tool holding block Square 20x20

Technical data

| | |
|-----------------------------|------------------|
| Drive | not live |
| Direction | left-handed run |
| Mounting | Square 20x20 |
| X [mm] | 125 (4.92") |
| Y [mm] | - |
| Z [mm] | 45 (1.77) |
| INDEX TRAUB products | MS52C • MS52-6.3 |



Documents

No downloads available for this product

Accessories

Optional accessories

Tool holder accessories

[Angle, height 8 mm \(0.31"\), width 8 mm \(0.31"\)](#)

Product ID : 10271441

Previous product ID : W63300.0010

TH accessories
category
Compensation bracket

Mounting
Square 20x20

[Angle, Height 4 mm, Width 4 mm](#)

Product ID : 10135472

Previous product ID : W63300.0020

TH accessories
category
Compensation bracket

Mounting
Square 20x20