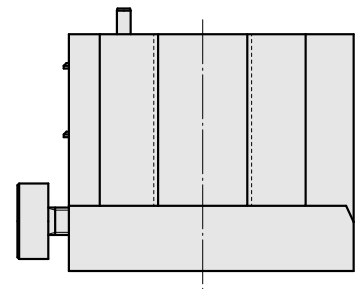
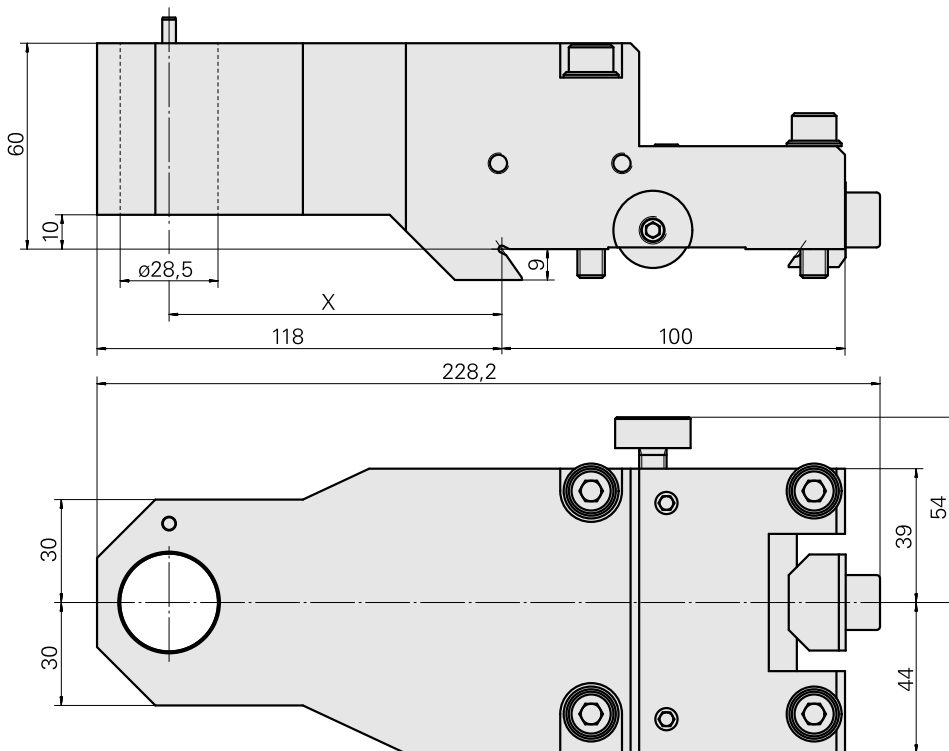
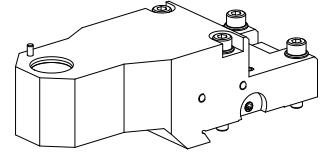


## Basic holder A200 Hydraulic expan. Chuck

### Technical data

<b>Slide system MS</b>	A200
<b>Drive</b>	not live
<b>Fixation MS</b>	Dovetail
<b>Mounting</b>	Hydraulic expan. Chuck D28.5
<b>X [mm]</b>	97 (3.82")
<b>Z [mm]</b>	10 (0.39)
<b>INDEX TRAUB products</b>	A200



X 97

---

## Documents

### Product notes

[DE \(pdf\)](#)

[EN \(pdf\)](#)

[FR \(pdf\)](#)

## Accessories

### Optional accessories

#### MS tool holders

##### [Blanking plug](#)

Product ID : 12013851

Previous product ID :

Drive not live	Fixation MS Clamping ring D28.5	X [mm] -	Y [mm] -
Z [mm] -			

##### [Calibrating tool](#)

Product ID : 12088616

Previous product ID :

Drive not live	Fixation MS Clamping ring D28.5	X [mm] -	Y [mm] -
Z [mm] -	INDEX TRAUB products MS24-6 • MS16-6 • MS16-6 Plus • MS22-6 • MS22-8		

#### Other accessories

##### [Not defined Standard MS22](#)

Product ID : 10132929

Previous product ID : WM3100.3150F

---