

Marking tool, Tip angle/radius 90°/R0.5mm

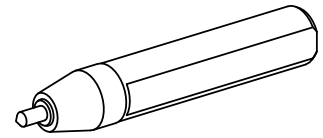
Technical data

TH accessories category

Marking tool

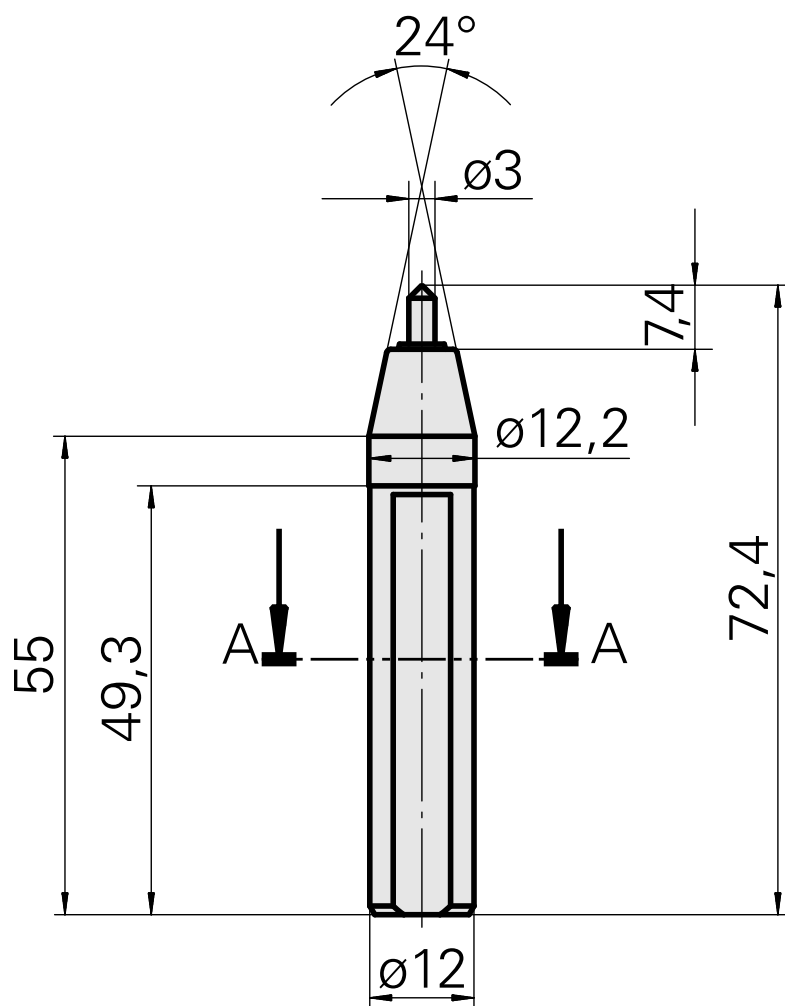
Tool mounting

12mm

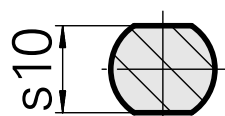


Note

Universal stylus for medium line thickness



A-A



Documents

Product notes

[DE \(pdf\)](#)

[FR \(pdf\)](#)

[PT \(pdf\)](#)

[EN \(pdf\)](#)