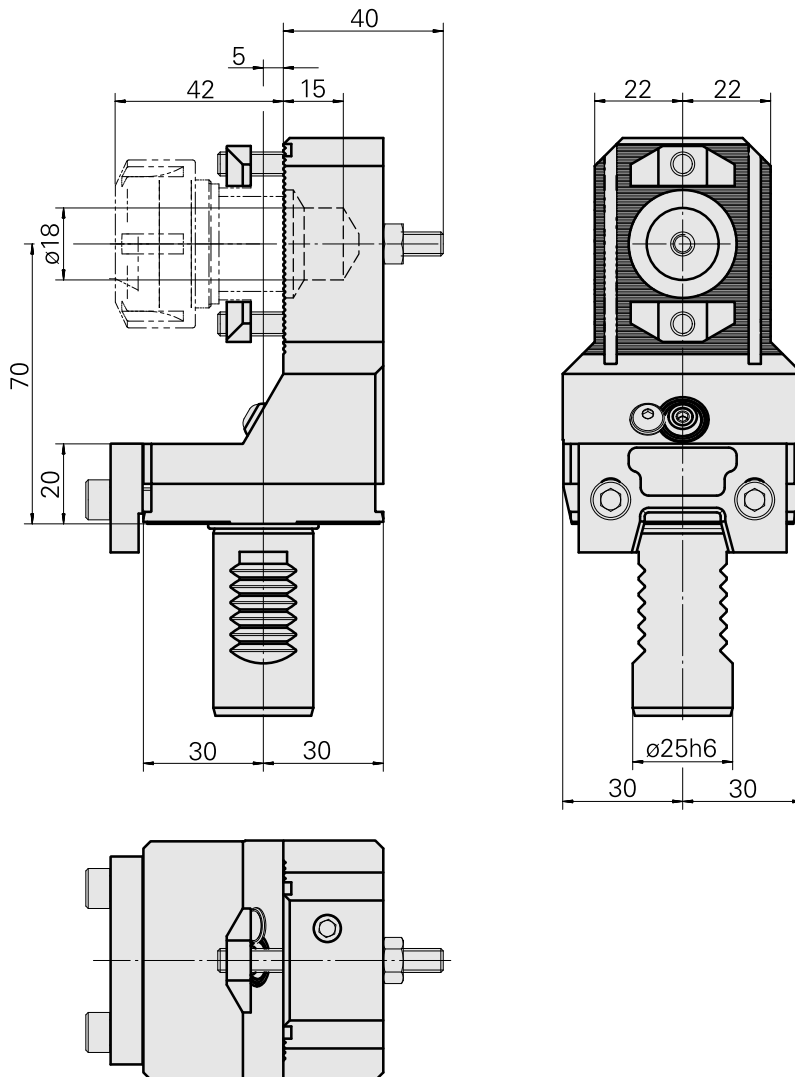


Basic holder VDI 25

Technical data

| | |
|----------------------|--|
| Shank VDI | VDI 25 |
| Drive | not live |
| Fixation VDI | Vee bar |
| Pressure | 20 bar |
| reversible 180° | yes |
| X [mm] | 70 (2.76") |
| Y [mm] | - |
| Z [mm] | -5 (-0.20) |
| INDEX TRAUB products | C42/65 • G160 • ABC • G200 • G200.2 • ABC.2 |



Documents

No downloads available for this product

Accessories

Optional accessories

Tool holders with VDI shank

[Drill holding block D20 \(0.79 "\)](#)

Product ID : 10099852

Previous product ID : W9990086

| | | | |
|----------------------|---------------------|--------------------|--|
| Drive not live | Cooling external | Pressure 20 bar | Mounting D20 |
| X [mm] 40 (1.57") | Y [mm] – | Z [mm] – | INDEX TRAUB products C42/65 • G160 • G300 • A200-6 • ABC • C100 • C200 • G200 • G200.2 • G220 • G250 • ABC.2 |

[Drill holding block ER25](#)

Product ID : 10285739

Previous product ID : W9990085

| | | | |
|------------------------|---------------------|--------------------|--|
| Drive not live | Cooling internal | Pressure 20 bar | Mounting ER25 |
| X [mm] 42.5 (1.67") | Y [mm] – | Z [mm] – | INDEX TRAUB products C42/65 • G160 • G300 • A200-6 • ABC • C100 • C200 • G200 • G200.2 • G220 • G250 • ABC.2 |

Other accessories

[BALL SPRAY NOZZLE 12D/M6](#)

Product ID : 10602750

Previous product ID : 474550.0101

10448204
W1230004

INDEX

Washer St B 4,3 black oxidized 125 B 4,3 bruiniert

Product ID : 10510608

Previous product ID : 419010.04

Lens head screw

Product ID : 10344546

Previous product ID : 410243.0406
