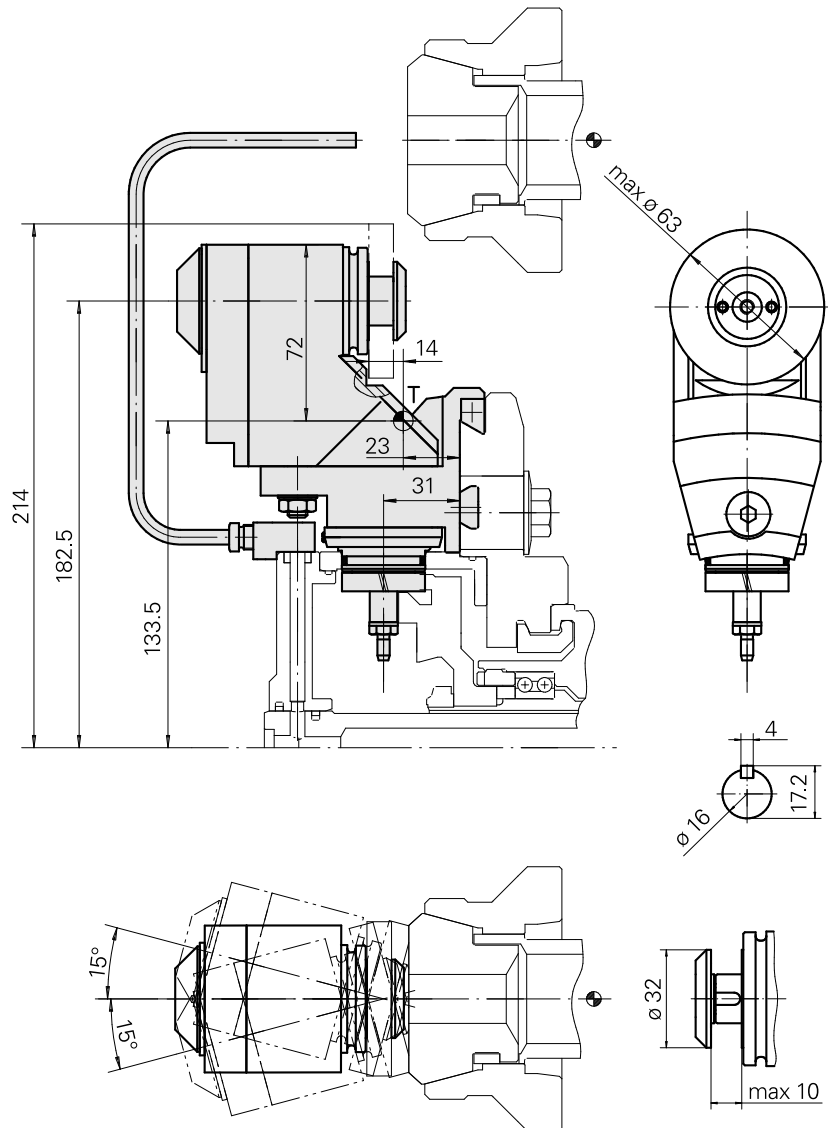
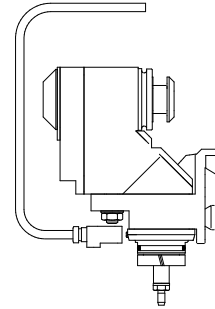


## Circular saw unit Circular prism 2:1 Mil, ±15°

### Technical data

Shank TNL	Circular prism
Drive	Overall drive
Fixation TNL	Central tensioning screw
Speed ratio	2:1
Cooling	external
Pressure	30 bar
Mounting	Milling shaft D16
INDEX TRAUB products	TNK36 • TNL26



---

## Documents

No downloads available for this product

## Accessories

Optional accessories

### Other accessories

#### [Conical ring 6D](#)

Product ID : 10057204

Previous product ID : 314739

---

#### [Cap screw 406-612](#)

Product ID : 10067675

Previous product ID : 314740

---

#### [SOCKET HD.SCREW 5X12](#)

Product ID : 10610247

Previous product ID : 410260.0512

---

#### [Block](#)

Product ID : 10944442

Previous product ID : 986186

---

#### [Tube 6 x 1](#)

Product ID : 10239972

Previous product ID : 324710.0610

---