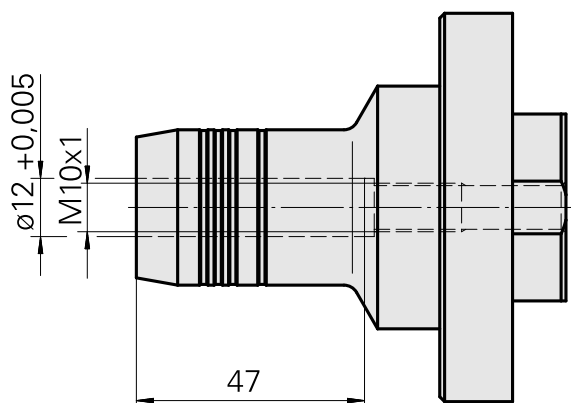
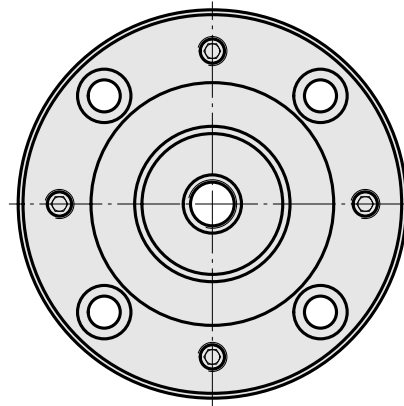
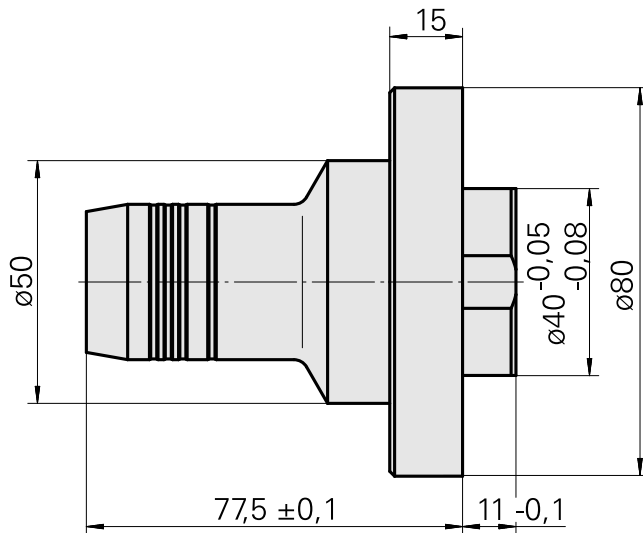


Drill holding block Hydraulic expansion

Technical data

Drive	not live
Fixation VDI	none
Cooling	external and internal
Pressure	80 bar
Mounting	Hydraulic expansion chuck D12
X [mm]	77.5 (3.05")
Y [mm]	-
Z [mm]	-
INDEX TRAUB products	G160 • ABC • C100 • C200 • G200 • G200.2 • G220 • ABC.2



Documents

Product notes

[DE \(pdf\)](#)

[EN \(pdf\)](#)

[FR \(pdf\)](#)

Accessories

Optional accessories

Other accessories

[Coolant supply für Hydrodehnspannfutter](#)

Product ID : 10754613

Previous product ID : W9990310
