

## Saw blade, circular saw blade width 2 mm (0.07")

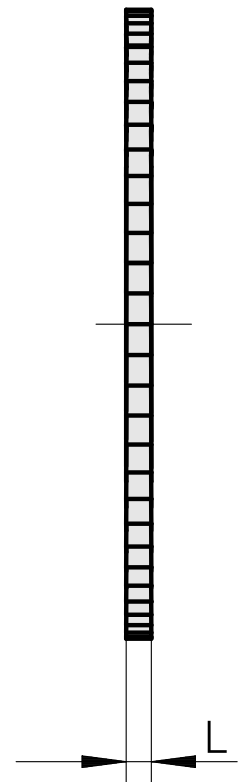
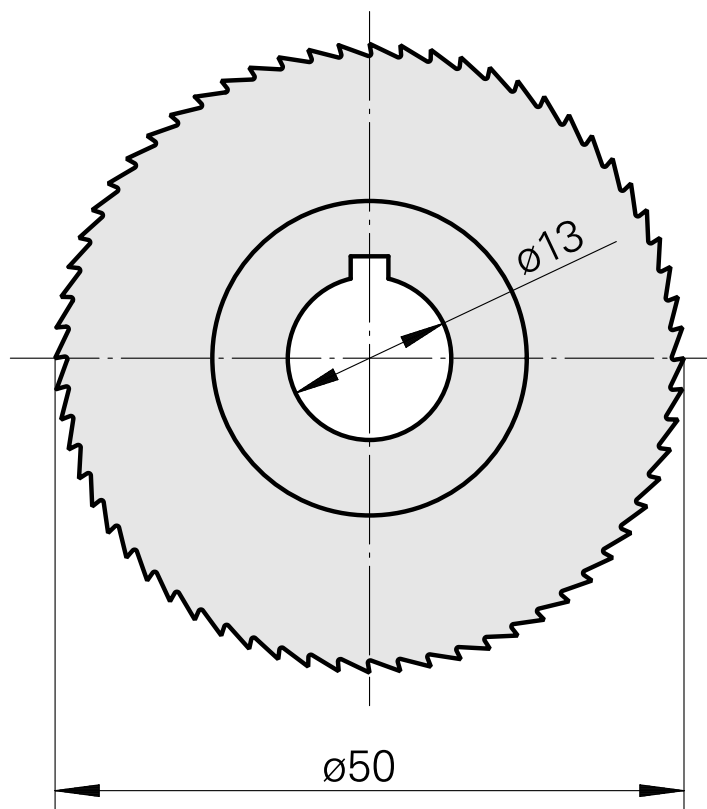
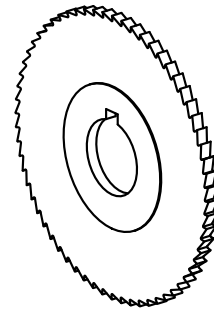
### Technical features

TH accessories category

Circular saw blade d50

Tool mounting

13 mm



## **Documents**

No downloads available for this product