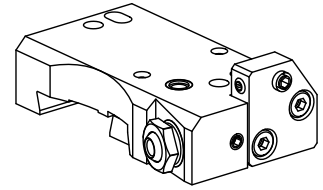


Grooving tool holding block Trapezoid 26

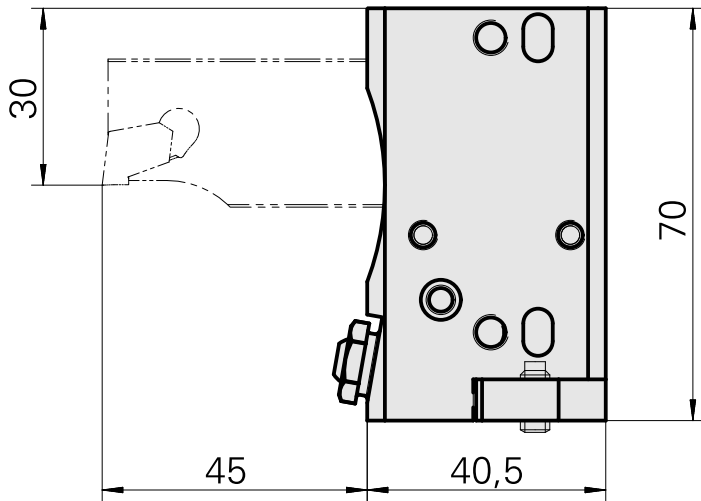
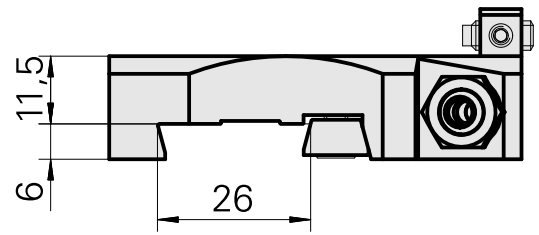
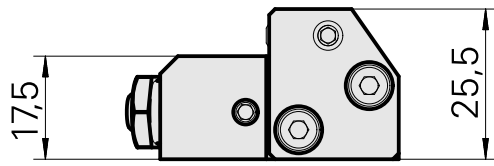
Technical data

Drive	not live
Cooling	external
Pressure	80 bar
Direction	right-handed run
Mounting	Trapezoid 26x5
X [mm]	40.5 (1.59")
Y [mm]	–
Z [mm]	11.5 (0.45)
INDEX TRAUB products	MS16-6 • MS16-6 Plus



Note

Specially for left cutoff blades!



Documents

No downloads available for this product