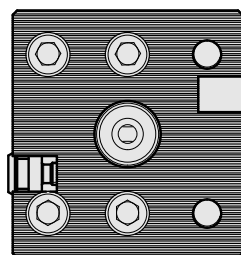
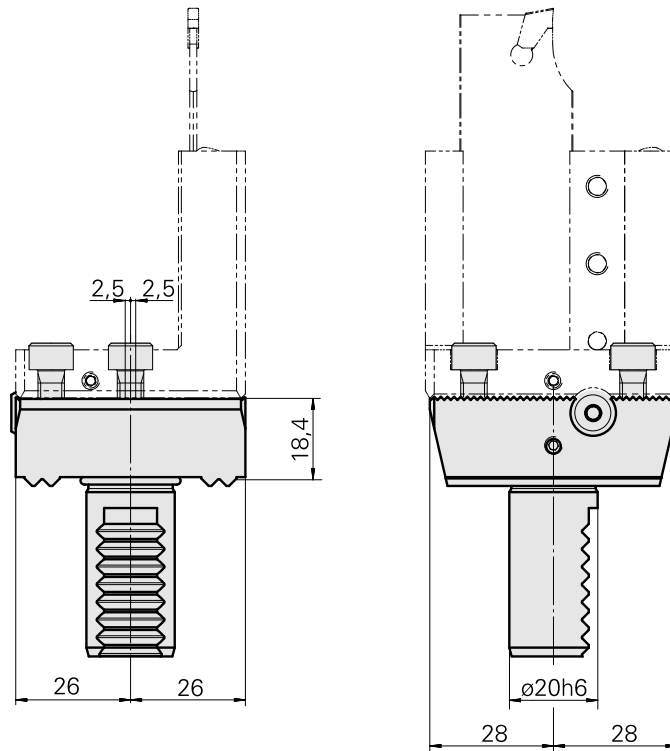
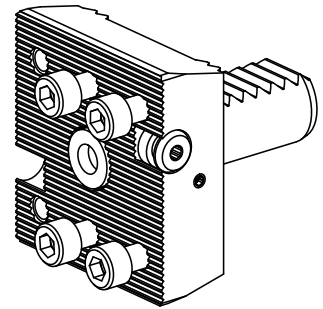


Basic holder VDI 20, horizontally adjustable

Technical data

| | |
|----------------------|-------------------------|
| Shank VDI | VDI 20 |
| Drive | not live |
| Fixation VDI | W serration |
| Pressure | 80 bar |
| reversible 180° | no |
| Data carrier | check tool station bore |
| X [mm] | 20 (0.79") |
| Y [mm] | - |
| Z [mm] | - |
| INDEX TRAUB products | C100 |



Documents

No downloads available for this product

Accessories

Optional accessories

Tool holders with VDI shank

[Grooving tool holding block Trapezoid 26, horizontally adjustable](#)

Product ID : 10469292

Previous product ID : W9990001

| | | | |
|----------------------|---------------------|---------------------|------------------------------|
| Drive not live | Cooling external | Pressure 20 bar | Mounting Trapezoid 26x5 |
| X [mm] 56 (2.20") | Y [mm] – | Z [mm] 15 (0.59) | INDEX TRAUB products C100 |

[Grooving tool holding block Trapezoid 26, horizontally adjustable](#)

Product ID : 10303482

Previous product ID : W9990002

| | | | |
|----------------------|---------------------|---------------------|------------------------------|
| Drive not live | Cooling external | Pressure 40 bar | Mounting Trapezoid 26x5 |
| X [mm] 56 (2.20") | Y [mm] – | Z [mm] 15 (0.59) | INDEX TRAUB products C100 |