

Presetting device

Technical data

TH accessories category

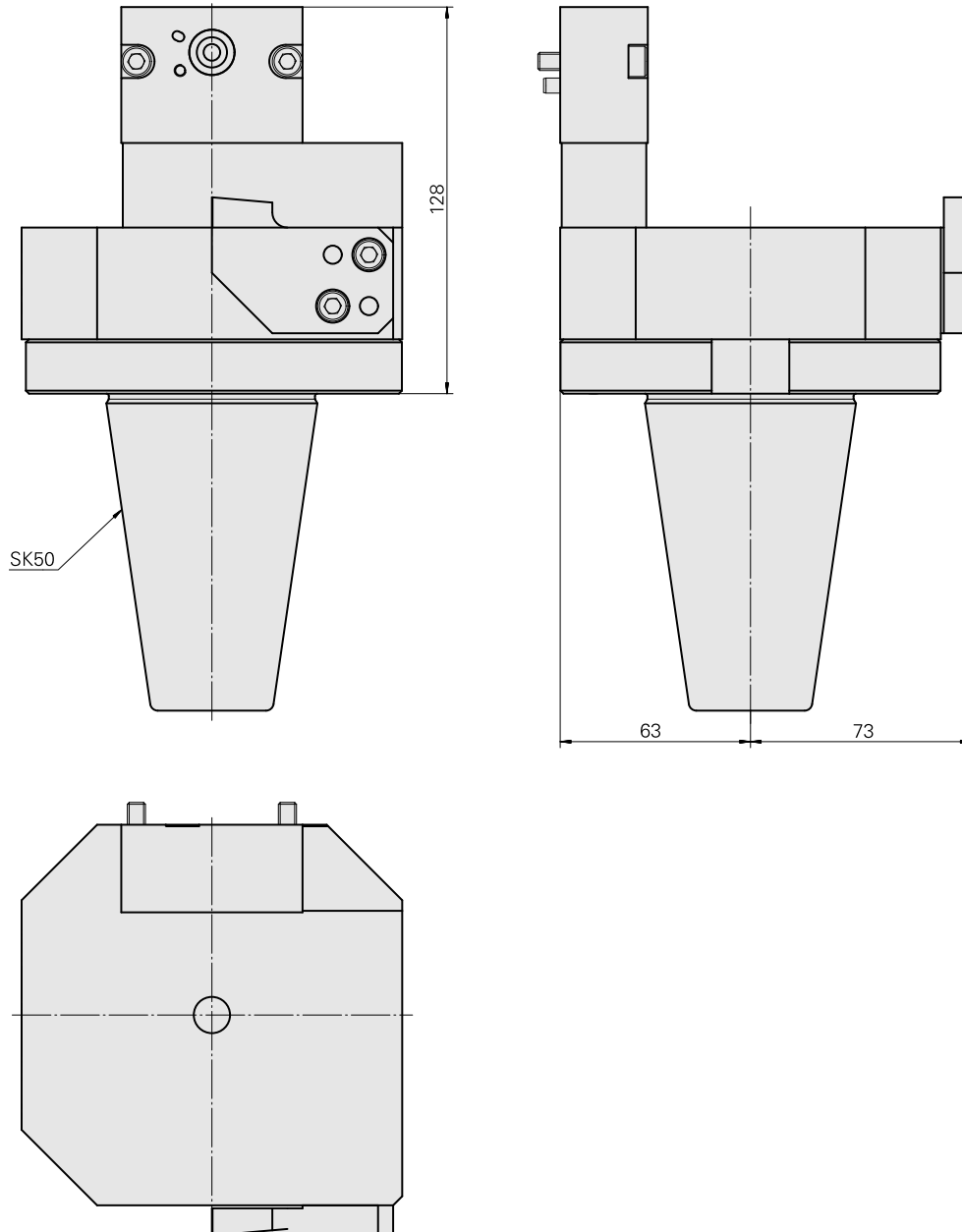
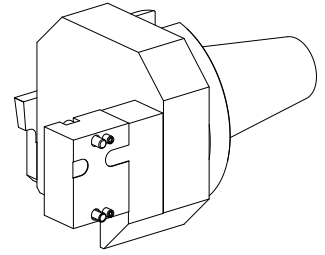
Adapter for presetting units

Mounting

SK50

Tool mounting

MS16 DrillGroovBlock



Documents

No downloads available for this product

Accessories

Optional accessories

Tool holder accessories

[Adapter plate, Rotated 90°](#)

Product ID : 10630218

Previous product ID : W9990900

TH accessories
category
Plate rear drilling unit
MS16