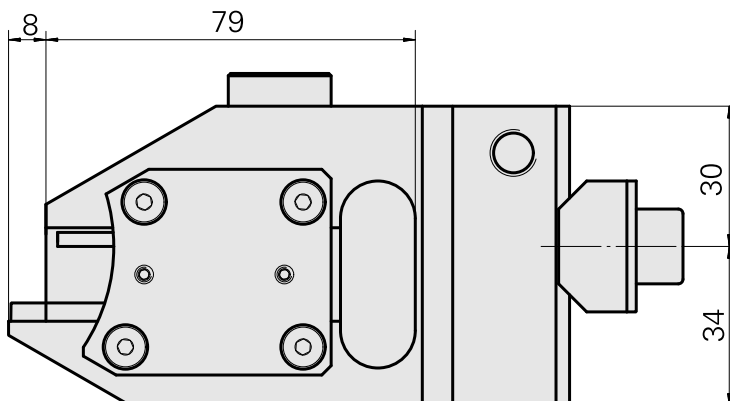


Turning tool holder MS16/MS22 Square 16x

Technical data

Slide system MS	MS16/MS22
Drive	not live
Fixation MS	Dovetail
Cooling	external
Pressure	20 bar
Direction	left-handed run
Mounting	Square 16x16
X [mm]	49.7 (1.96")
Y [mm]	–
Z [mm]	14.5 (0.57)
INDEX TRAUB products	A100 • MS16-6 • MS22-6 • MS22-8 • MS24-6 • MS24-8 • MS16-6 Plus



X	49,7
---	------

Documents

No downloads available for this product

Accessories

Optional accessories

Tool holder accessories

[tube, M6x48,45°](#)

Product ID : 10683174

Previous product ID : W63501.2622

TH accessories
category
Cooling lubricant tube

Mounting
M6

[plate, height 4 mm \(0.15"\)](#)

Product ID : 11011909

Previous product ID : W94060.4806

TH accessories
category
Compensation plate

Mounting
Square 16x16

Other accessories

[BALL SPRAY NOZZLE 12D/M6](#)

Product ID : 10602750

Previous product ID : 474550.0101

[Lens head screw](#)

Product ID : 10344546

Previous product ID : 410243.0406
