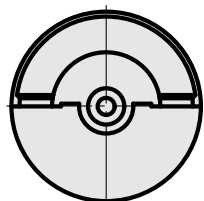
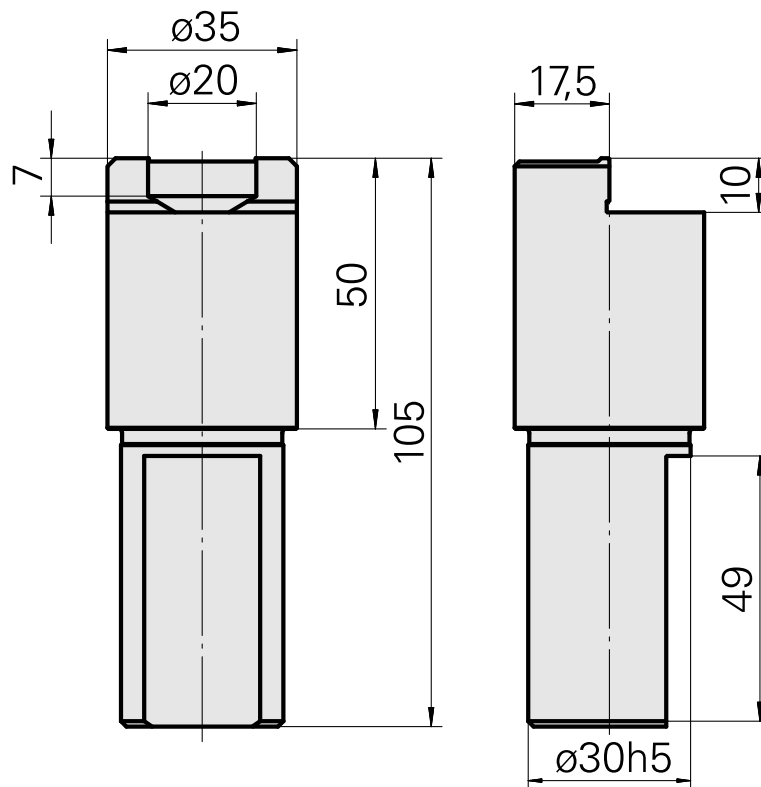
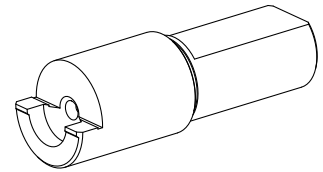


## Calibrating tool VDI 30 D35

### Technical data

|                      |                                       |
|----------------------|---------------------------------------|
| Shank VDI            | VDI 30                                |
| Drive                | not live                              |
| Fixation VDI         | none                                  |
| Mounting             | D35                                   |
| reversible 180°      | no                                    |
| X [mm]               | 50 (1.97")                            |
| Y [mm]               | -                                     |
| Z [mm]               | -                                     |
| INDEX TRAUB products | V100 • V200 • V160C • V160G •<br>V300 |



## **Documents**

No downloads available for this product