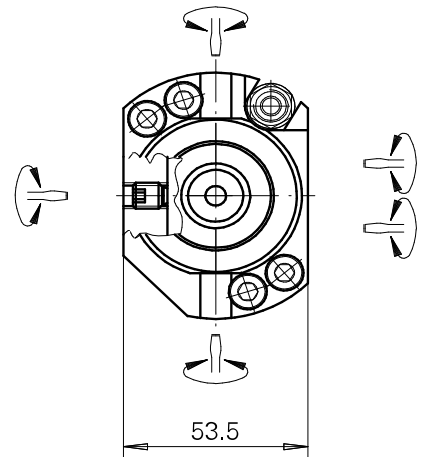
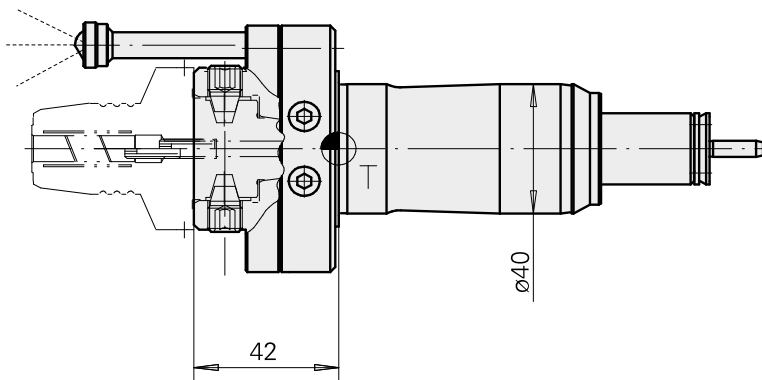


## Basic holder Shank 40 WFB 32-20

### Technical data

|                             |                       |
|-----------------------------|-----------------------|
| <b>Shank TNL</b>            | Shank 40              |
| <b>Drive</b>                | not live              |
| <b>Cooling</b>              | external and internal |
| <b>Pressure</b>             | 120 bar               |
| <b>Mounting</b>             | WFB 32-20             |
| <b>INDEX TRAUB products</b> | TNK36 • TNL26         |



---

## Documents

### Product notes

[DE \(pdf\)](#)

[EN \(pdf\)](#)

[FR \(pdf\)](#)

[PT \(pdf\)](#)

## Accessories

### Optional accessories

#### Other accessories

#### [Shrink WFB 32-20 adapter](#)

Product ID : 10726868

Previous product ID : WZ9990.3206F

---

#### [Adapter WFB 32-20 Weldon](#)

Product ID : 10305353

Previous product ID : WZ9990.3207F

---

#### [Adapter WFB 32-20 with collet mounting](#)

Product ID : 10298507

Previous product ID : WZ9990.3208F

---

#### [adapter WFB 32-20 mill arbor mounting](#)

Product ID : 10640736

Previous product ID : WZ9990.3209F

---

#### [WFB hydr. expansion mounting](#)

Product ID : 10946690

Previous product ID : WZ9990.3210F

---

10186163  
836358

**INDEX**

---

[Adapter WFB 32-20 Horn S-Mini](#)

Product ID : 10546762

Previous product ID : WZ9990.3211F

---

[adapter WFB 32-20Turning holder](#)

Product ID : 11010003

Previous product ID : WZ9990.3212F

---

[Grub screw M10x1x11](#)

Product ID : 10165359

Previous product ID : 326057

---