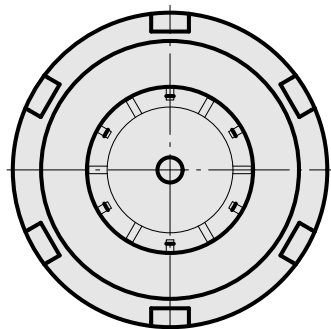
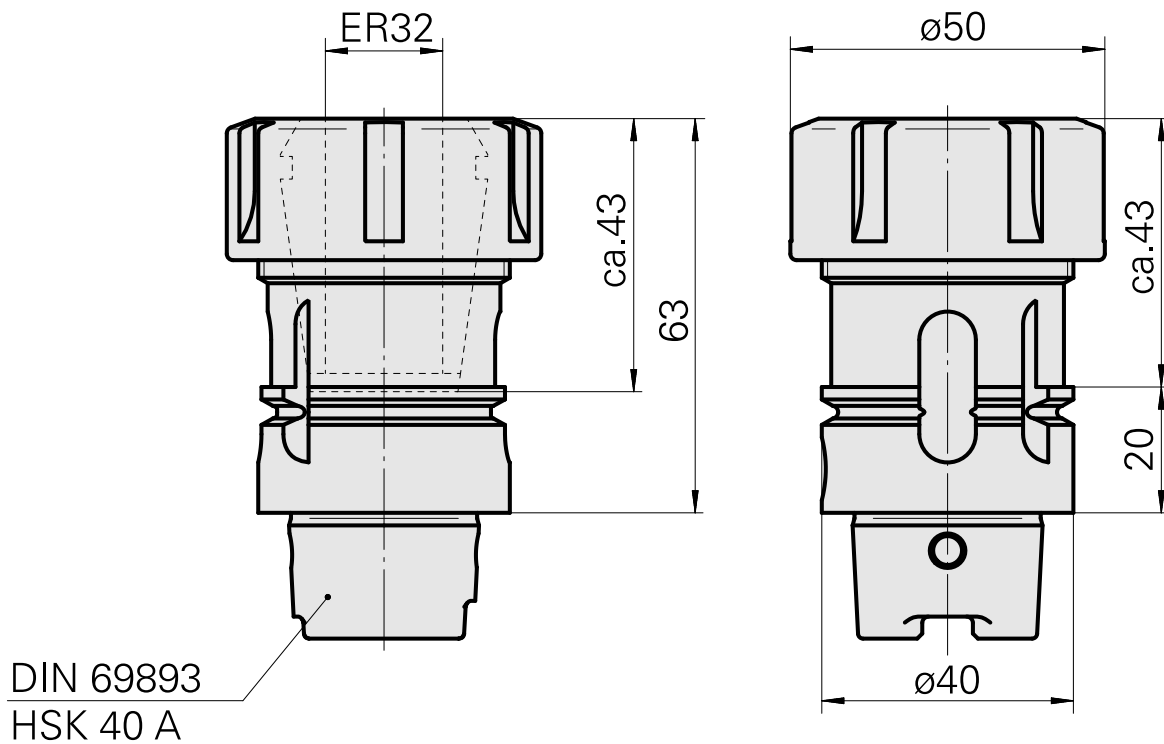
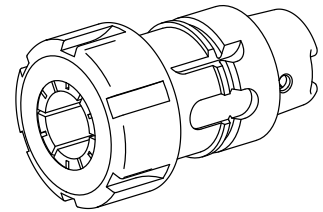


Drilling tool holder HSK 40 A ER32

Technical data

Shank HSK	HSK 40
Form HSK	A
Mounting	ER32
Cooling	internal
Pressure	80 bar
X [mm]	63 (2.48")
INDEX TRAUB products	G160 • V100 • G200.2 • G220 • R200 • TNX65/42 • G220.3 • TNX220.3



Documents

No downloads available for this product

Accessories

Required for operation

[Spanner](#)

Product ID : 10181051

Previous product ID : 490219.0321

TH accessories category Tool	Mounting ER32	Collet type ER 32	Clamping nut type Female thread
Tools for Collet chucks Clamping nut wrench			

[Socket wrench](#)

Product ID : 10532354

Previous product ID : WS7400.0010

TH accessories category Tool for KSS adapter	Mounting HSK 40 A/C
---	------------------------

Optional accessories

Tool holder accessories

[Clamping nut](#)

Product ID : 10117729

Previous product ID : 901939.0321

TH accessories category Clamping nut	Mounting ER32	Collet type ER 32	Clamping nut type Female thread
---	------------------	----------------------	------------------------------------

[Coolant adapter kit](#)

Product ID : 10581780

Previous product ID : WS7400.0020

TH accessories
category
Cooling lubricant
transfer set

Mounting
HSK 40 A/C

[Coolant supply, max. 120 bar](#)

Product ID : 12024083

Previous product ID :

TH accessories
category
Cooling lubricant
transfer set

Mounting
HSK 40 A/C

Other accessories

[Clamping collet](#)

Product ID : 10187712

Previous product ID : 901930.6---

[tapping tool collet ET-1-32](#)

Product ID : 10640099

Previous product ID : 3242--

[tapping tool collet](#)

Product ID : 10601144

Previous product ID : WZ9990.9509F

[Collet chuck](#)

Product ID : 10659178

Previous product ID : W999068-
