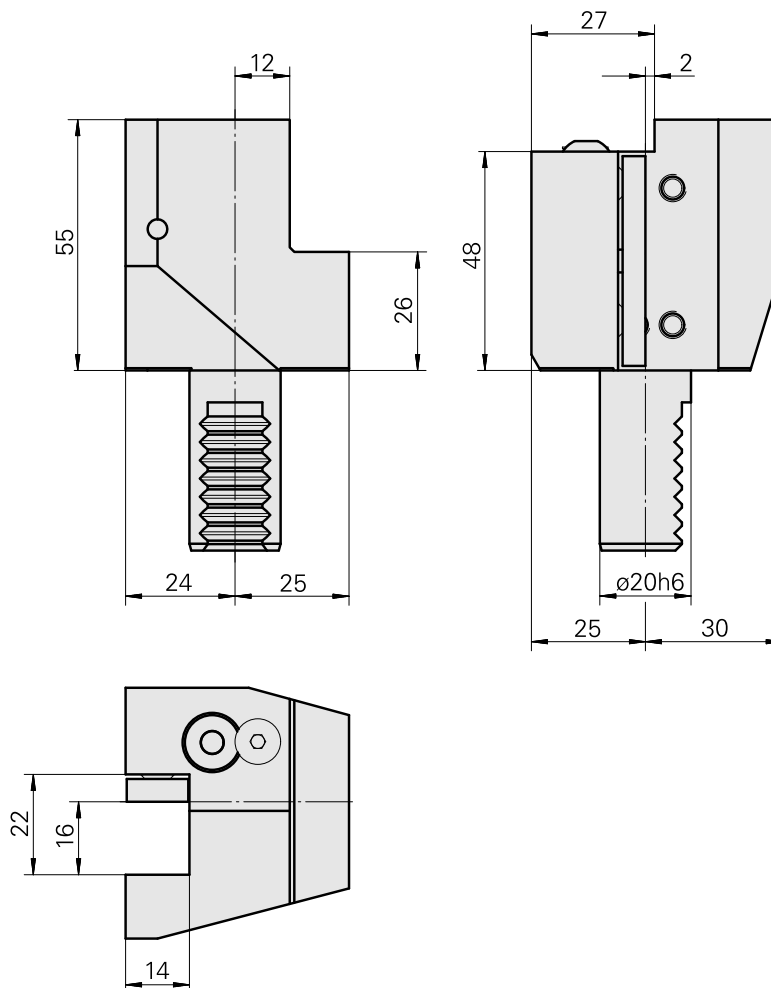
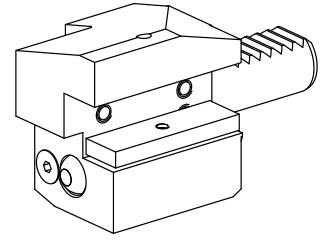


## Turning tool holder VDI 20 square 16x16, Form C3

### Technical data

<b>Shank VDI</b>	VDI 20
<b>Drive</b>	not live
<b>Fixation VDI</b>	none
<b>Cooling</b>	external
<b>Pressure</b>	20 bar
<b>Mounting</b>	Square 16x16
<b>reversible 180°</b>	no
<b>X [mm]</b>	55 (2.17")
<b>Y [mm]</b>	–
<b>Z [mm]</b>	24 (0.94)
<b>INDEX TRAUB products</b>	C100



## Documents

No downloads available for this product

## Accessories

Optional accessories

### Other accessories

#### [Nozzle](#)

Product ID : 10357365

Previous product ID : W64220.0204

---

#### [Countersunk screw 8.8 Torx M 5x12 14581 M 5x12/T25 verzinkt 402315 12](#)

Product ID : 10607371

Previous product ID : 410362.0512

---