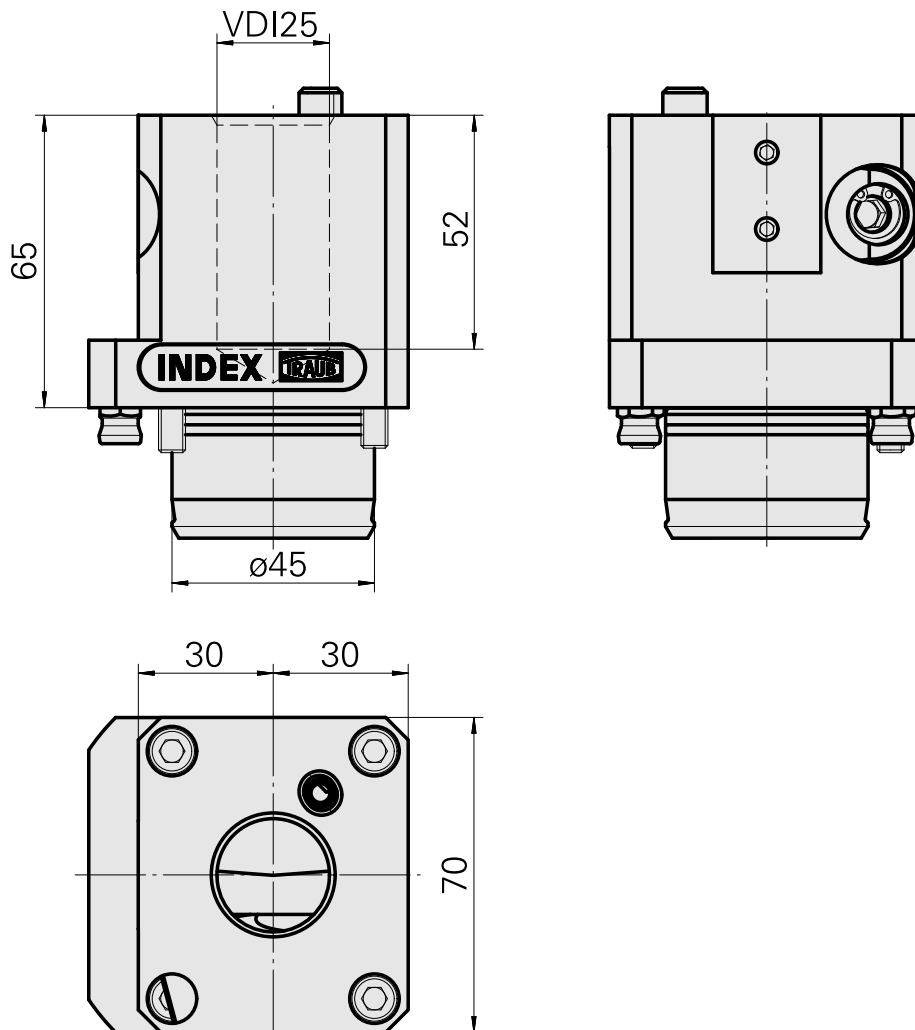
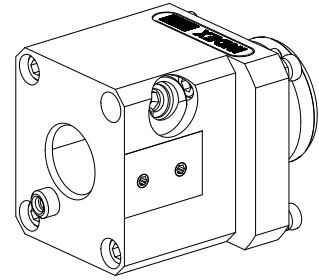


Compensation holder KPS 45 VDI 25

Technical features

| | |
|----------------------|------------------|
| Shank KPS | KPS 45 |
| Drive | not live |
| Cooling | internal |
| Mounting | VDI 25 |
| Pressure | 80 bar |
| reversible 180° | no |
| X [mm] | 65 (2.56") |
| Y [mm] | - |
| Z [mm] | - |
| INDEX TRAUB products | ABC65 • TNK42/65 |



Documents

No downloads available for this product