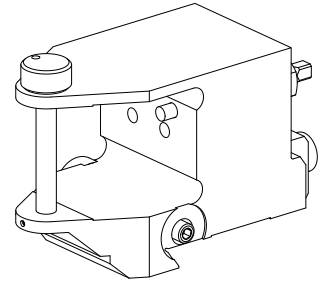

Basic holder MS16/MS22 Fette T18

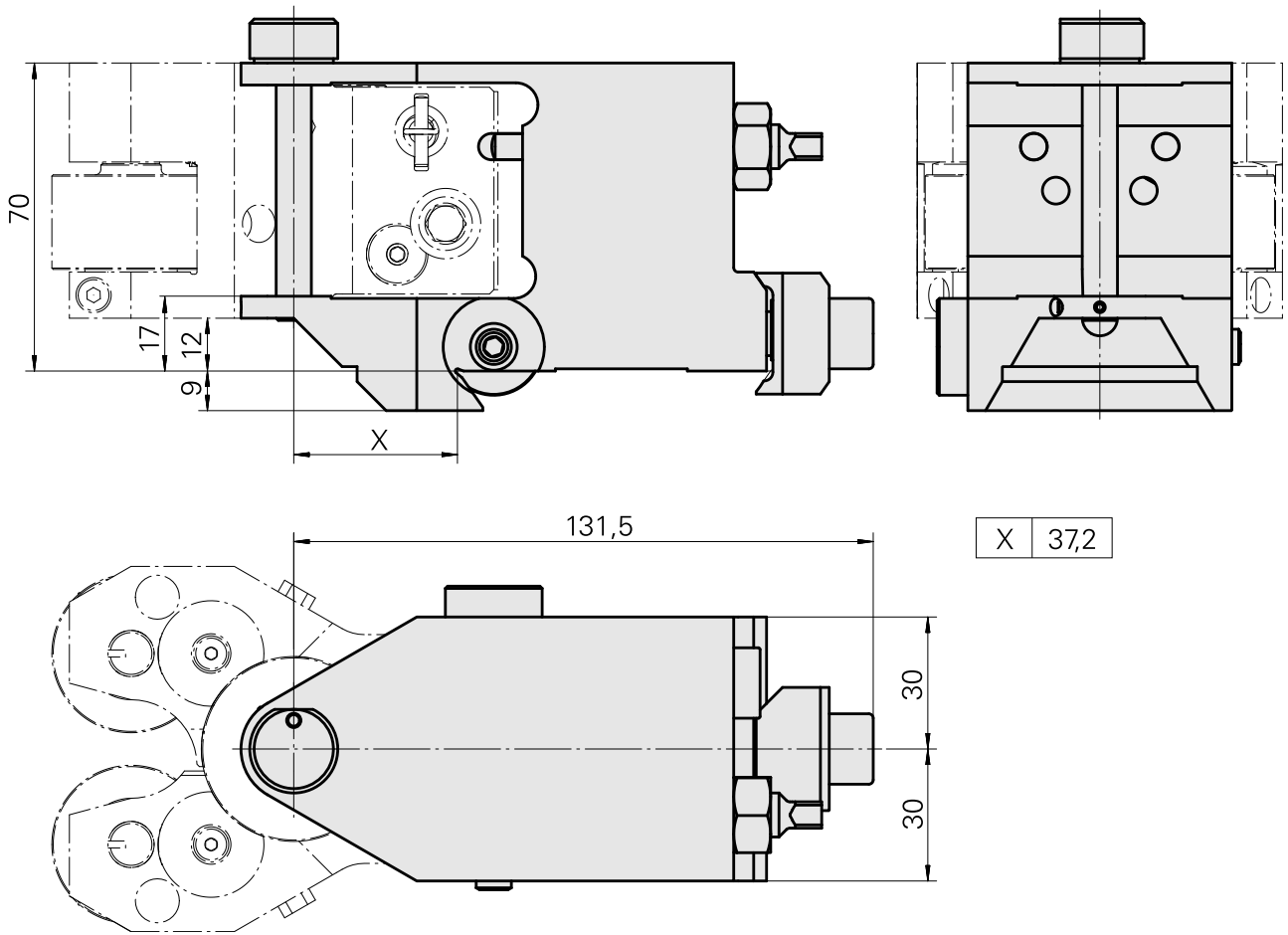
Technical data

Slide system MS	MS16/MS22
Drive	not live
Fixation MS	Dovetail
Mounting	Fette T18
X [mm]	37 (1.46")
Y [mm]	–
Z [mm]	35 (1.38)
INDEX TRAUB products	MS22-6 • MS22-8



Note

Specially for rolling heads!



Documents

No downloads available for this product