

INDEX CAPTO C3 for CN.. 1204.., right, without gripper groove

Technical data

TH accessories category

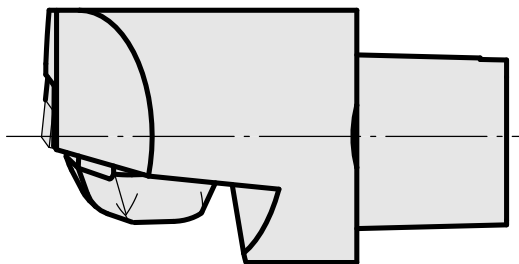
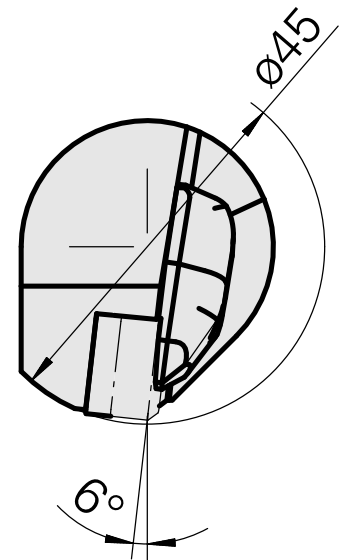
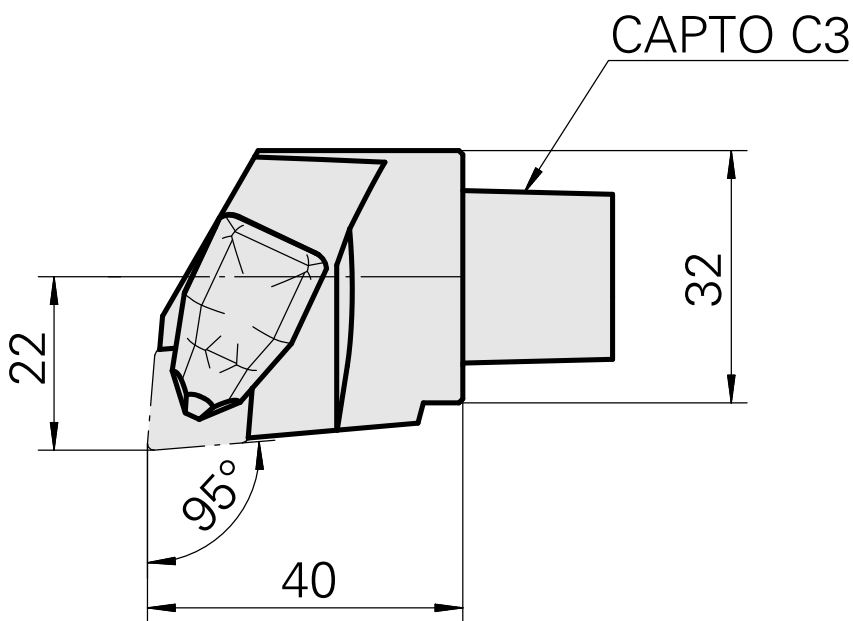
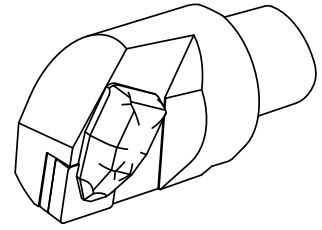
INDEX CAPTO C3

Mounting

for CN.. 1204..

Quick change inserts

Turning tool holder



Documents

No downloads available for this product