

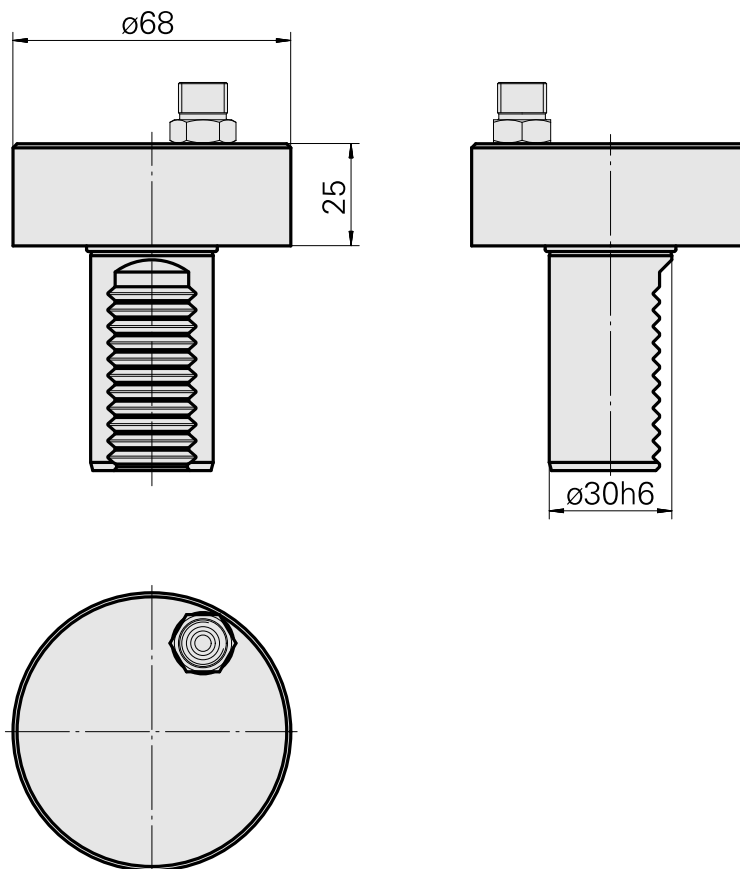
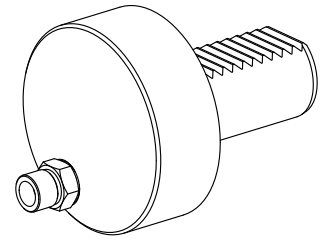
## Flush holder VDI 30

### Technical data

Shank VDI	VDI 30
Drive	not live
Fixation VDI	none
Cooling	external
Pressure	80 bar
Data carrier	check tool station bore
X [mm]	25 (0.98")
Y [mm]	-
Z [mm]	-

#### INDEX TRAUB products

G160 • G300 • V100 • V200 •  
A200-6 • B400 • C200 • G220  
• G250 • R300 • TNX65/42 •  
V160C • V160G • V300 • TNA300  
• TNA400.2 • G300.2 • G320.2 •  
G220.3 • TNX220.3 • TNX200.3 •  
G200.3 • G320.3 compact • B400.3  
• TNA400.3



## Documents

No downloads available for this product

## Accessories

Optional accessories

### Other accessories

#### [Locking screw](#)

Product ID : 10306095

Previous product ID : 410773.1010

---

#### [Screw cap GE 6-LM-ED/OMD](#)

Product ID : 10877595

Previous product ID : 338090

---