

## Presetting device D80/MS32/MS40 Quersch

### Technical data

**TH accessories category**

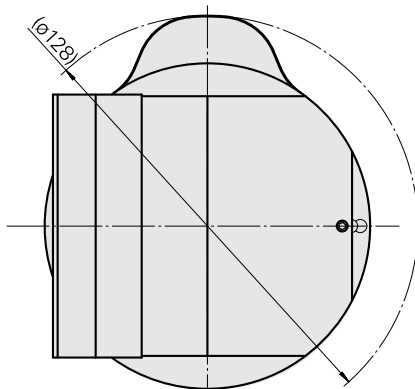
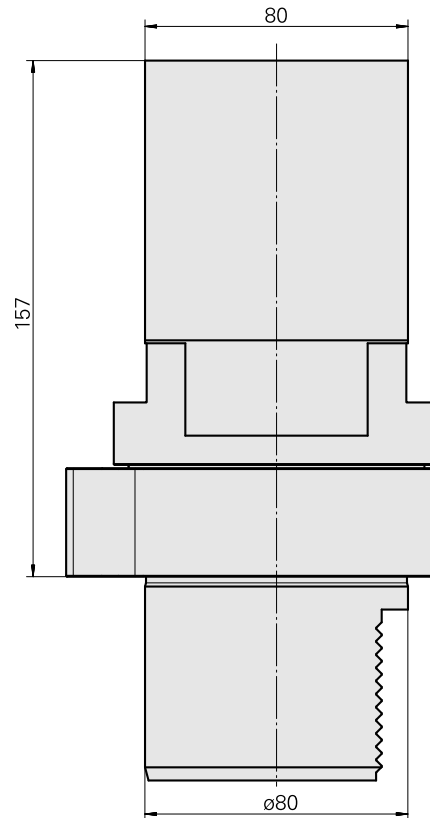
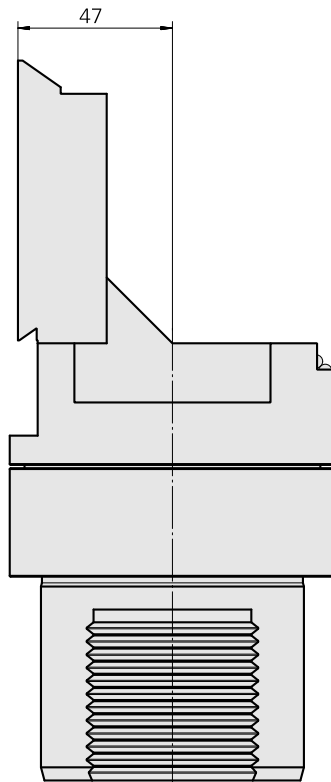
Adapter for presetting units

**Mounting**

D80 for presetting devices

**Tool mounting**

MS32/MS40 Cross slide



## **Documents**

No downloads available for this product