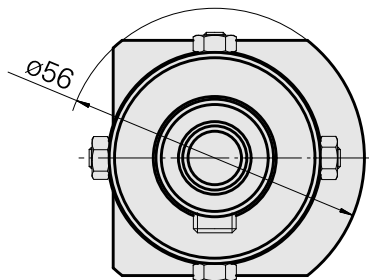
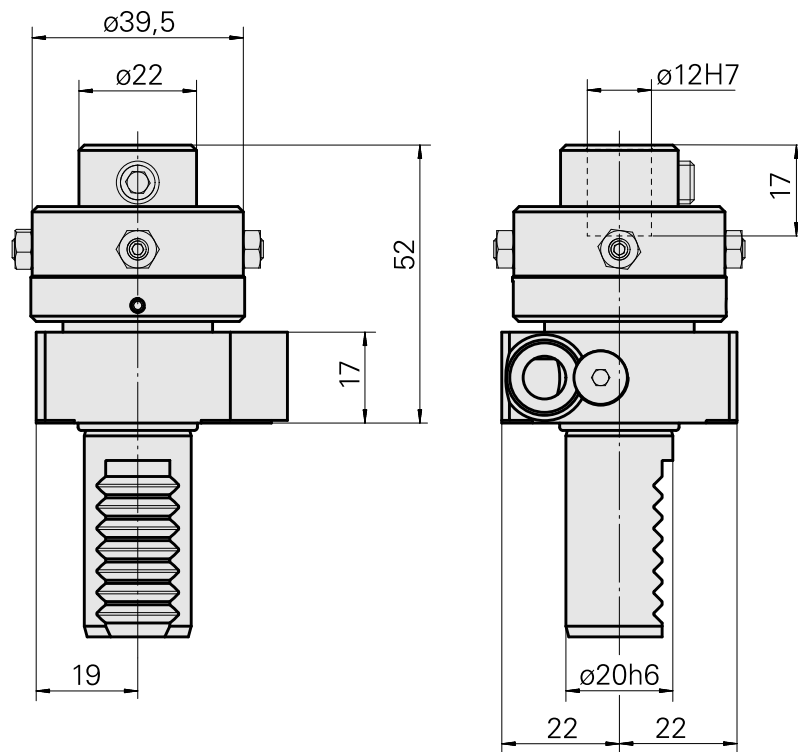


Reaming tool holder VDI 20 D12 (0.47 "), adjustable

Technical data

Shank VDI	VDI 20
Drive	not live
Fixation VDI	none
Cooling	external
Pressure	20 bar
Mounting	D12
reversible 180°	no
X [mm]	52 (2.05")
Y [mm]	-
Z [mm]	-



Documents

No downloads available for this product

Accessories

Optional accessories

Other accessories

[Clamping sleeve D12](#)

Product ID : 10964938

Previous product ID : 993112.----
