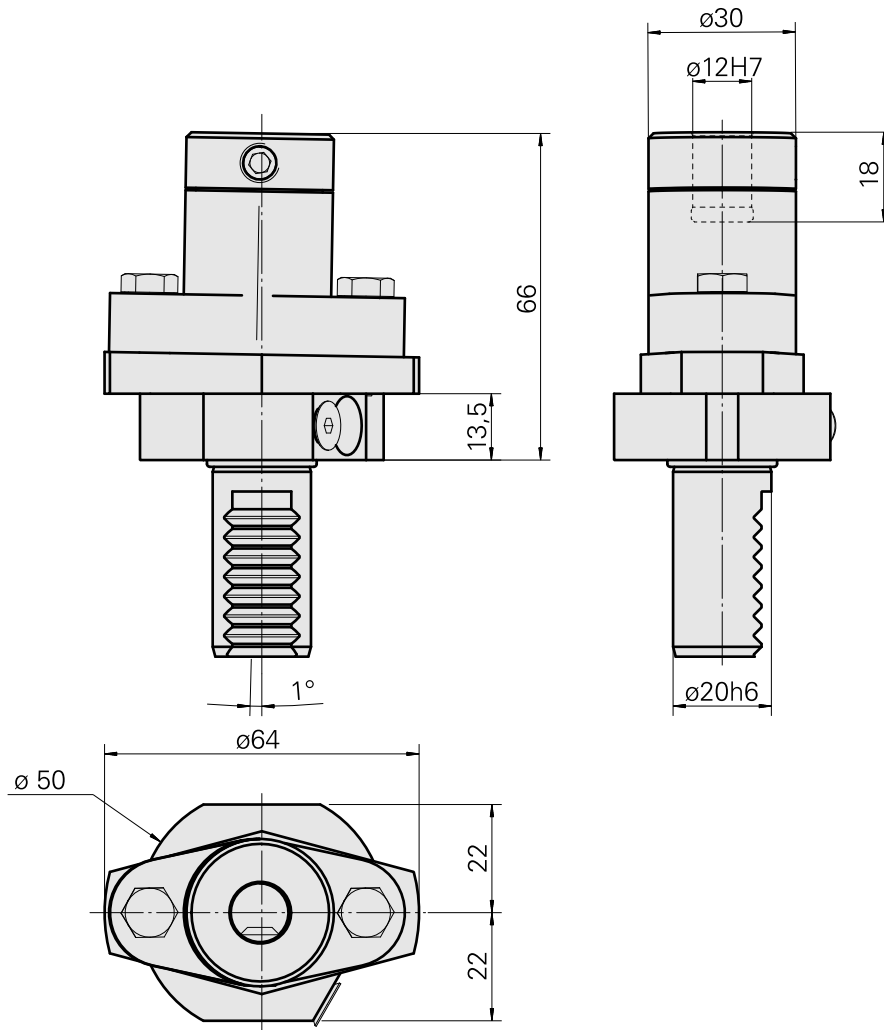
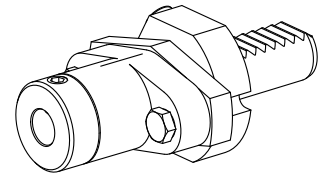


## Broachholder VDI 20 D12, rotating, live

### Technical data

Shank VDI	VDI 20
Drive	not live
Fixation VDI	none
Cooling	external
Pressure	20 bar
Mounting	D12
reversible 180°	no
X [mm]	66 (2.60")
Y [mm]	—
Z [mm]	—



## Documents

### Product notes

[DE \(pdf\)](#)

[EN \(pdf\)](#)

[FR \(pdf\)](#)

## Accessories

Optional accessories

### Other accessories

[Slotting tool for hexagon socket](#)

Product ID : 10155732

Previous product ID : W37606.----

---

[Mandrel](#)

Product ID : 10727998

Previous product ID : W37604.----

---

[Mandrel](#)

Product ID : 12164626

Previous product ID :

---