

## WFB 32-20 for DC.. 11T3.., right, without gripper groove

### Technical data

TH accessories category

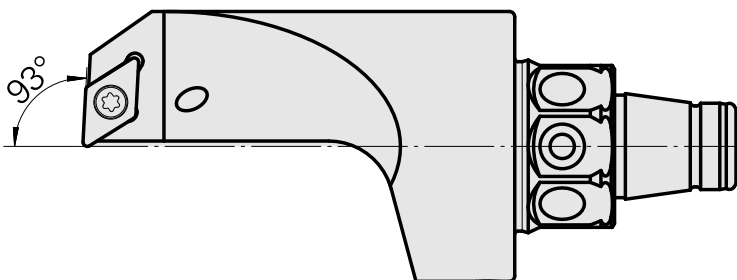
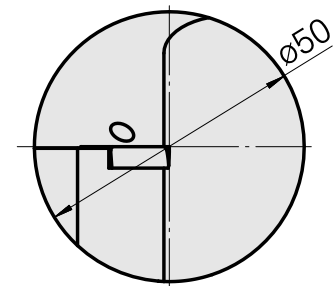
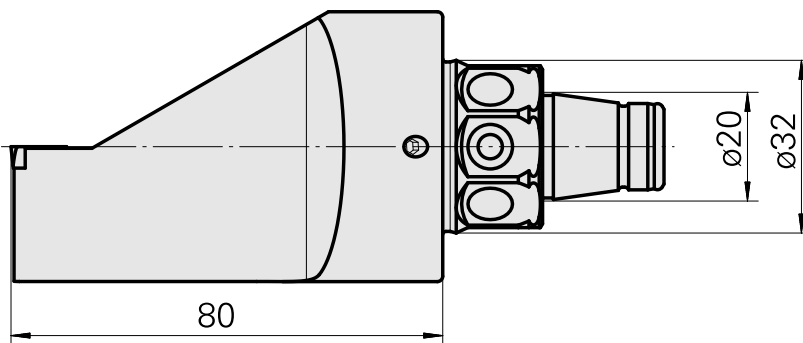
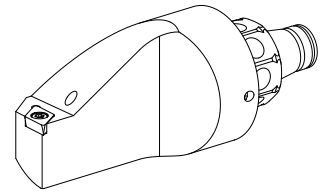
WFB 32-20

Mounting

for DC.. 11T3..

Quick change inserts

Turning tool holder



## **Documents**

No downloads available for this product