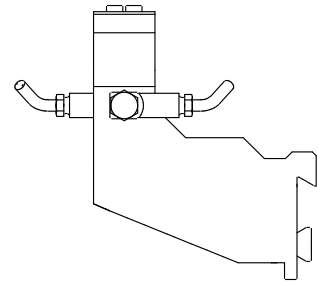


Drilling tool holder Circular prism D20, double

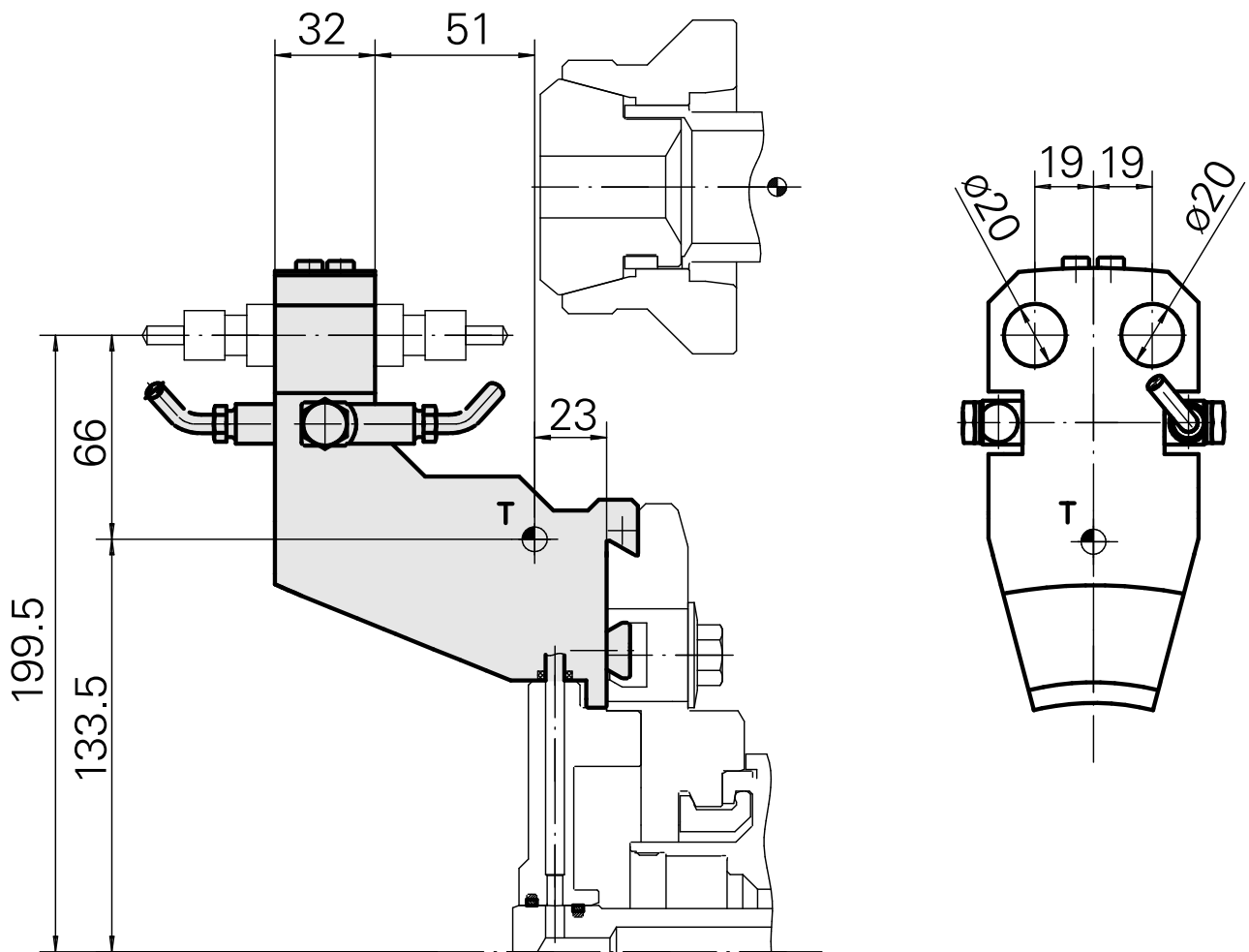
Technical data

Shank TNL	Circular prism
Drive	not live
Fixation TNL	Central tensioning screw
Cooling	external
Pressure	30 bar
Mounting	D20
INDEX TRAUB products	TNK36 • TNL26



Note

A collision check must be carried out before use!



10044806
984691

INDEX

Documents

No downloads available for this product