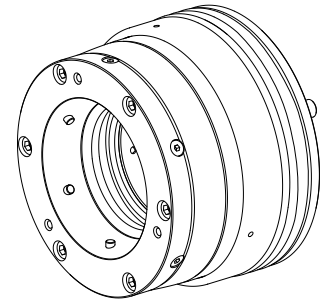


## Jaw chuck

### Technical data

<b>INDEX TRAUB products</b>	G250 • R300
<b>Spindle clearance</b>	102mm
<b>Machining side</b>	Main spindle
<b>Ext. manufact. product feature</b>	Kombi Axzug
<b>manufacturer product line</b>	SPANNTOP nova chuck
<b>Spindle mounting</b>	KK 8
<b>Clamping device size</b>	SK100
<b>manufacturer product line</b>	Hainbuch



No 3-side view is currently available for this product

## Documents

No downloads available for this product

## Accessories

Required for operation

### [RING PG 20213](#)

Product ID : 10801809

Previous product ID : 479103.1141

manufacturer product line Trelleborg	TSS material no.	Cord size 1.78 Millimeter	manufacturer product line O-ring
---	------------------	------------------------------	-------------------------------------

## Optional accessories

### Other accessories

### [Changing Fixture PP100](#)

Product ID : 10965185

Previous product ID : 900480.8251

Clamping device size SK100	manufacturer product line SPANNTOP nova chuck • SPANNTOP mini chuck	Clamping type Pneumatic	Clamping method External clamping
manufacturer product line Hainbuch			

### [Clamping head SK100 D=42,00mm](#)

Product ID : 10271062

Previous product ID : 900482.4200

Clamping device size SK100	manufacturer product line SPANNTOP nova chuck	Clamping type grooved	Nominal diameter (mm) 42 Millimeter
Clamping method External clamping	manufacturer product line Hainbuch		

### Clamping head SK100 D=43,00mm

Product ID : 10125381

Previous product ID : 900482.4300

Clamping device size SK100	manufacturer product line SPANNTOP nova chuck	Clamping type grooved	Nominal diameter (mm) 43 Millimeter
Clamping method External clamping	manufacturer product line Hainbuch		

### Clamping head SK100 D=44,00mm

Product ID : 10905945

Previous product ID : 900482.4400

Clamping device size SK100	manufacturer product line SPANNTOP nova chuck	Clamping type grooved	Nominal diameter (mm) 44 Millimeter
Clamping method External clamping	manufacturer product line Hainbuch		

### Clamping head SK100 D=45,00mm

Product ID : 10059759

Previous product ID : 900482.4500

Clamping device size SK100	manufacturer product line SPANNTOP nova chuck	Clamping type grooved	Nominal diameter (mm) 45 Millimeter
Clamping method External clamping	manufacturer product line Hainbuch		

### Clamping head SK100 D=46,00mm

Product ID : 10075220

Previous product ID : 900482.4600

Clamping device size SK100	manufacturer product line SPANNTOP nova chuck	Clamping type grooved	Nominal diameter (mm) 46 Millimeter
Clamping method External clamping	manufacturer product line Hainbuch		

### Clamping head SK100 D=47,00mm

Product ID : 10244757

Previous product ID : 900482.4700

Clamping device size SK100	manufacturer product line SPANNTOP nova chuck	Clamping type grooved	Nominal diameter (mm) 47 Millimeter
Clamping method External clamping	manufacturer product line Hainbuch		

### Clamping head SK100 D=48,00mm

Product ID : 10680015

Previous product ID : 900482.4800

Clamping device size SK100	manufacturer product line SPANNTOP nova chuck	Clamping type grooved	Nominal diameter (mm) 48 Millimeter
Clamping method External clamping	manufacturer product line Hainbuch		

### Clamping head SK100 D=49,00mm

Product ID : 10463399

Previous product ID : 900482.4900

Clamping device size SK100	manufacturer product line SPANNTOP nova chuck	Clamping type grooved	Nominal diameter (mm) 49 Millimeter
Clamping method External clamping	manufacturer product line Hainbuch		

### Clamping head SK100 D=50,00mm

Product ID : 10277240

Previous product ID : 900482.5000

Clamping device size SK100	manufacturer product line SPANNTOP nova chuck	Clamping type grooved	Nominal diameter (mm) 50 Millimeter
Clamping method External clamping	manufacturer product line Hainbuch		

### Clamping head SK100 D=51,00mm

Product ID : 10775785

Previous product ID : 900482.5100

Clamping device size SK100	manufacturer product line SPANNTOP nova chuck	Clamping type grooved	Nominal diameter (mm) 51 Millimeter
Clamping method External clamping	manufacturer product line Hainbuch		

### Clamping head SK100 D=52,00mm

Product ID : 10087816

Previous product ID : 900482.5200

Clamping device size SK100	manufacturer product line SPANNTOP nova chuck	Clamping type grooved	Nominal diameter (mm) 52 Millimeter
Clamping method External clamping	manufacturer product line Hainbuch		

### Clamping head SK100 D=53,00mm

Product ID : 10517956

Previous product ID : 900482.5300

Clamping device size SK100	manufacturer product line SPANNTOP nova chuck	Clamping type grooved	Nominal diameter (mm) 53 Millimeter
Clamping method External clamping	manufacturer product line Hainbuch		

### Clamping head SK100 D=54,00mm

Product ID : 10620091

Previous product ID : 900482.5400

Clamping device size SK100	manufacturer product line SPANNTOP nova chuck	Clamping type grooved	Nominal diameter (mm) 54 Millimeter
Clamping method External clamping	manufacturer product line Hainbuch		

### Clamping head SK100 D=55,00mm

Product ID : 10430266

Previous product ID : 900482.5500

Clamping device size SK100	manufacturer product line SPANNTOP nova chuck	Clamping type grooved	Nominal diameter (mm) 55 Millimeter
Clamping method External clamping	manufacturer product line Hainbuch		

### Clamping head SK100 D=56,00mm

Product ID : 10916028

Previous product ID : 900482.5600

Clamping device size SK100	manufacturer product line SPANNTOP nova chuck	Clamping type grooved	Nominal diameter (mm) 56 Millimeter
Clamping method External clamping	manufacturer product line Hainbuch		

### Clamping head SK100 D=57,00mm

Product ID : 10492785

Previous product ID : 900482.5700

Clamping device size SK100	manufacturer product line SPANNTOP nova chuck	Clamping type grooved	Nominal diameter (mm) 57 Millimeter
Clamping method External clamping	manufacturer product line Hainbuch		

### Clamping head SK100 D=58,00mm

Product ID : 10456035

Previous product ID : 900482.5800

Clamping device size SK100	manufacturer product line SPANNTOP nova chuck	Clamping type grooved	Nominal diameter (mm) 58 Millimeter
Clamping method External clamping	manufacturer product line Hainbuch		

### Clamping head SK100 D=59,00mm

Product ID : 10308328

Previous product ID : 900482.5900

Clamping device size SK100	manufacturer product line SPANNTOP nova chuck	Clamping type grooved	Nominal diameter (mm) 59 Millimeter
Clamping method External clamping	manufacturer product line Hainbuch		

### Clamping head SK100 D=60,00mm

Product ID : 10634384

Previous product ID : 900482.6000

Clamping device size SK100	manufacturer product line SPANNTOP nova chuck	Clamping type grooved	Nominal diameter (mm) 60 Millimeter
Clamping method External clamping	manufacturer product line Hainbuch		

### Clamping head SK100 D=61,00mm

Product ID : 10992111

Previous product ID : 900482.6100

Clamping device size SK100	manufacturer product line SPANNTOP nova chuck	Clamping type grooved	Nominal diameter (mm) 61 Millimeter
Clamping method External clamping	manufacturer product line Hainbuch		

### Clamping head SK100 D=62,00mm

Product ID : 10281555

Previous product ID : 900482.6200

Clamping device size SK100	manufacturer product line SPANNTOP nova chuck	Clamping type grooved	Nominal diameter (mm) 62 Millimeter
Clamping method External clamping	manufacturer product line Hainbuch		

### Clamping head SK100 D=63,00mm

Product ID : 10120486

Previous product ID : 900482.6300

Clamping device size SK100	manufacturer product line SPANNTOP nova chuck	Clamping type grooved	Nominal diameter (mm) 63 Millimeter
Clamping method External clamping	manufacturer product line Hainbuch		

### Clamping head SK100 D=64,00mm

Product ID : 10036632

Previous product ID : 900482.6400

Clamping device size SK100	manufacturer product line SPANNTOP nova chuck	Clamping type grooved	Nominal diameter (mm) 64 Millimeter
Clamping method External clamping	manufacturer product line Hainbuch		

### Clamping head SK100 D=65,00mm

Product ID : 10477854

Previous product ID : 900482.6500

Clamping device size SK100	manufacturer product line SPANNTOP nova chuck	Clamping type grooved	Nominal diameter (mm) 65 Millimeter
Clamping method External clamping	manufacturer product line Hainbuch		

### Clamping head SK100 D=66,00mm

Product ID : 10379412

Previous product ID : 900482.6600

Clamping device size SK100	manufacturer product line SPANNTOP nova chuck	Clamping type grooved	Nominal diameter (mm) 66 Millimeter
Clamping method External clamping	manufacturer product line Hainbuch		

### Clamping head SK100 D=67,00mm

Product ID : 10732408

Previous product ID : 900482.6700

Clamping device size SK100	manufacturer product line SPANNTOP nova chuck	Clamping type grooved	Nominal diameter (mm) 67 Millimeter
Clamping method External clamping	manufacturer product line Hainbuch		

### Clamping head SK100 D=68,00mm

Product ID : 10503518

Previous product ID : 900482.6800

Clamping device size SK100	manufacturer product line SPANNTOP nova chuck	Clamping type grooved	Nominal diameter (mm) 68 Millimeter
Clamping method External clamping	manufacturer product line Hainbuch		

### Clamping head SK100 D=69,00mm

Product ID : 10584560

Previous product ID : 900482.6900

Clamping device size SK100	manufacturer product line SPANNTOP nova chuck	Clamping type grooved	Nominal diameter (mm) 69 Millimeter
Clamping method External clamping	manufacturer product line Hainbuch		

### Clamping head SK100 D=70,00mm

Product ID : 11000535

Previous product ID : 900482.7000

Clamping device size SK100	manufacturer product line SPANNTOP nova chuck	Clamping type grooved	Nominal diameter (mm) 70 Millimeter
Clamping method External clamping	manufacturer product line Hainbuch		

### Clamping head SK100 D=71,00mm

Product ID : 10487256

Previous product ID : 900482.7100

Clamping device size SK100	manufacturer product line SPANNTOP nova chuck	Clamping type grooved	Nominal diameter (mm) 71 Millimeter
Clamping method External clamping	manufacturer product line Hainbuch		

### Clamping head SK100 D=72,00mm

Product ID : 10298134

Previous product ID : 900482.7200

Clamping device size SK100	manufacturer product line SPANNTOP nova chuck	Clamping type grooved	Nominal diameter (mm) 72 Millimeter
Clamping method External clamping	manufacturer product line Hainbuch		

### Clamping head SK100 D=73,00mm

Product ID : 10013485

Previous product ID : 900482.7300

Clamping device size SK100	manufacturer product line SPANNTOP nova chuck	Clamping type grooved	Nominal diameter (mm) 73 Millimeter
Clamping method External clamping	manufacturer product line Hainbuch		

### Clamping head SK100 D=74,00mm

Product ID : 10474852

Previous product ID : 900482.7400

Clamping device size SK100	manufacturer product line SPANNTOP nova chuck	Clamping type grooved	Nominal diameter (mm) 74 Millimeter
Clamping method External clamping	manufacturer product line Hainbuch		

### Clamping head SK100 D=75,00mm

Product ID : 10472585

Previous product ID : 900482.7500

Clamping device size SK100	manufacturer product line SPANNTOP nova chuck	Clamping type grooved	Nominal diameter (mm) 75 Millimeter
Clamping method External clamping	manufacturer product line Hainbuch		

### Clamping head SK100 D=76,00mm

Product ID : 10459860

Previous product ID : 900482.7600

Clamping device size SK100	manufacturer product line SPANNTOP nova chuck	Clamping type grooved	Nominal diameter (mm) 76 Millimeter
Clamping method External clamping	manufacturer product line Hainbuch		

### Clamping head SK100 D=77,00mm

Product ID : 10144412

Previous product ID : 900482.7700

Clamping device size SK100	manufacturer product line SPANNTOP nova chuck	Clamping type grooved	Nominal diameter (mm) 77 Millimeter
Clamping method External clamping	manufacturer product line Hainbuch		

### Clamping head SK100 D=78,00mm

Product ID : 10578475

Previous product ID : 900482.7800

Clamping device size SK100	manufacturer product line SPANNTOP nova chuck	Clamping type grooved	Nominal diameter (mm) 78 Millimeter
Clamping method External clamping	manufacturer product line Hainbuch		

### Clamping head SK100 D=79,00mm

Product ID : 10239843

Previous product ID : 900482.7900

Clamping device size SK100	manufacturer product line SPANNTOP nova chuck	Clamping type grooved	Nominal diameter (mm) 79 Millimeter
Clamping method External clamping	manufacturer product line Hainbuch		

### Clamping head SK100 D=80,00mm

Product ID : 10267508

Previous product ID : 900482.8000

Clamping device size SK100	manufacturer product line SPANNTOP nova chuck	Clamping type grooved	Nominal diameter (mm) 80 Millimeter
Clamping method External clamping	manufacturer product line Hainbuch		

### Clamping head SK100 D=81,00mm

Product ID : 10384035

Previous product ID : 900482.8100

Clamping device size SK100	manufacturer product line SPANNTOP nova chuck	Clamping type grooved	Nominal diameter (mm) 81 Millimeter
Clamping method External clamping	manufacturer product line Hainbuch		

### Clamping head SK100 D=82,00mm

Product ID : 10342976

Previous product ID : 900482.8200

Clamping device size SK100	manufacturer product line SPANNTOP nova chuck	Clamping type grooved	Nominal diameter (mm) 82 Millimeter
Clamping method External clamping	manufacturer product line Hainbuch		

### Clamping head SK100 D=83,00mm

Product ID : 10799825

Previous product ID : 900482.8300

Clamping device size SK100	manufacturer product line SPANNTOP nova chuck	Clamping type grooved	Nominal diameter (mm) 83 Millimeter
Clamping method External clamping	manufacturer product line Hainbuch		

### Clamping head SK100 D=84,00mm

Product ID : 10059754

Previous product ID : 900482.8400

Clamping device size SK100	manufacturer product line SPANNTOP nova chuck	Clamping type grooved	Nominal diameter (mm) 84 Millimeter
Clamping method External clamping	manufacturer product line Hainbuch		

### Clamping head SK100 D=85,00mm

Product ID : 11010228

Previous product ID : 900482.8500

Clamping device size SK100	manufacturer product line SPANNTOP nova chuck	Clamping type grooved	Nominal diameter (mm) 85 Millimeter
Clamping method External clamping	manufacturer product line Hainbuch		

### Clamping head SK100 D=86,00mm

Product ID : 10135794

Previous product ID : 900482.8600

Clamping device size SK100	manufacturer product line SPANNTOP nova chuck	Clamping type grooved	Nominal diameter (mm) 86 Millimeter
Clamping method External clamping	manufacturer product line Hainbuch		

### Clamping head SK100 D=87,00mm

Product ID : 10604305

Previous product ID : 900482.8700

Clamping device size SK100	manufacturer product line SPANNTOP nova chuck	Clamping type grooved	Nominal diameter (mm) 87 Millimeter
Clamping method External clamping	manufacturer product line Hainbuch		

### Clamping head SK100 D=88,00mm

Product ID : 10480284

Previous product ID : 900482.8800

Clamping device size SK100	manufacturer product line SPANNTOP nova chuck	Clamping type grooved	Nominal diameter (mm) 88 Millimeter
Clamping method External clamping	manufacturer product line Hainbuch		

### Clamping head SK100 D=89,00mm

Product ID : 10137189

Previous product ID : 900482.8900

Clamping device size SK100	manufacturer product line SPANNTOP nova chuck	Clamping type grooved	Nominal diameter (mm) 89 Millimeter
Clamping method External clamping	manufacturer product line Hainbuch		

### Clamping head SK100 D=90,00mm

Product ID : 10490695

Previous product ID : 900482.9000

Clamping device size SK100	manufacturer product line SPANNTOP nova chuck	Clamping type grooved	Nominal diameter (mm) 90 Millimeter
Clamping method External clamping	manufacturer product line Hainbuch		

### Clamping head SK100 D=91,00mm

Product ID : 10195141

Previous product ID : 900482.9100

Clamping device size SK100	manufacturer product line SPANNTOP nova chuck	Clamping type grooved	Nominal diameter (mm) 91 Millimeter
Clamping method External clamping	manufacturer product line Hainbuch		

### Clamping head SK100 D=92,00mm

Product ID : 10620425

Previous product ID : 900482.9200

Clamping device size SK100	manufacturer product line SPANNTOP nova chuck	Clamping type grooved	Nominal diameter (mm) 92 Millimeter
Clamping method External clamping	manufacturer product line Hainbuch		

### Clamping head SK100 D=93,00mm

Product ID : 10381990

Previous product ID : 900482.9300

Clamping device size SK100	manufacturer product line SPANNTOP nova chuck	Clamping type grooved	Nominal diameter (mm) 93 Millimeter
Clamping method External clamping	manufacturer product line Hainbuch		

### Clamping head SK100 D=94,00mm

Product ID : 10365168

Previous product ID : 900482.9400

Clamping device size SK100	manufacturer product line SPANNTOP nova chuck	Clamping type grooved	Nominal diameter (mm) 94 Millimeter
Clamping method External clamping	manufacturer product line Hainbuch		

### Clamping head SK100 D=95,00mm

Product ID : 10153622

Previous product ID : 900482.9500

Clamping device size SK100	manufacturer product line SPANNTOP nova chuck	Clamping type grooved	Nominal diameter (mm) 95 Millimeter
Clamping method External clamping	manufacturer product line Hainbuch		

### Clamping head SK100 D=96,00mm

Product ID : 10749223

Previous product ID : 900482.9600

Clamping device size SK100	manufacturer product line SPANNTOP nova chuck	Clamping type grooved	Nominal diameter (mm) 96 Millimeter
Clamping method External clamping	manufacturer product line Hainbuch		

### Clamping head SK100 D=97,00mm

Product ID : 10505636

Previous product ID : 900482.9700

Clamping device size SK100	manufacturer product line SPANNTOP nova chuck	Clamping type grooved	Nominal diameter (mm) 97 Millimeter
Clamping method External clamping	manufacturer product line Hainbuch		

### Clamping head SK100 D=98,00mm

Product ID : 10561032

Previous product ID : 900482.9800

Clamping device size SK100	manufacturer product line SPANNTOP nova chuck	Clamping type grooved	Nominal diameter (mm) 98 Millimeter
Clamping method External clamping	manufacturer product line Hainbuch		

### Clamping head SK100 D=99,00mm

Product ID : 10563184

Previous product ID : 900482.9900

Clamping device size <b>SK100</b>	manufacturer product line <b>SPANNTOP nova chuck</b>	Clamping type <b>grooved</b>	Nominal diameter (mm) <b>99 Millimeter</b>
Clamping method <b>External clamping</b>	manufacturer product line <b>Hainbuch</b>		

### Clamping head SK100 D=100,00mm

Product ID : 10706016

Previous product ID : 900482.0000

Clamping device size <b>SK100</b>	manufacturer product line <b>SPANNTOP nova chuck</b>	Clamping type <b>grooved</b>	Nominal diameter (mm) <b>100 Millimeter</b>
Clamping method <b>External clamping</b>	manufacturer product line <b>Hainbuch</b>		

### Clamping head SK100 D=42,00mm

Product ID : 10167827

Previous product ID : 900482.G420

Clamping device size <b>SK100</b>	manufacturer product line <b>SPANNTOP nova chuck</b>	Clamping type <b>smooth</b>	Nominal diameter (mm) <b>42 Millimeter</b>
Clamping method <b>External clamping</b>	manufacturer product line <b>Hainbuch</b>		

### Clamping head SK100 D=43,00mm

Product ID : 10089076

Previous product ID : 900482.G430

Clamping device size <b>SK100</b>	manufacturer product line <b>SPANNTOP nova chuck</b>	Clamping type <b>smooth</b>	Nominal diameter (mm) <b>43 Millimeter</b>
Clamping method <b>External clamping</b>	manufacturer product line <b>Hainbuch</b>		

### Clamping head SK100 D=44,00mm

Product ID : 10762107

Previous product ID : 900482.G440

Clamping device size SK100	manufacturer product line SPANNTOP nova chuck	Clamping type smooth	Nominal diameter (mm) 44 Millimeter
Clamping method External clamping	manufacturer product line Hainbuch		

### Clamping head SK100 D=45,00mm

Product ID : 10290651

Previous product ID : 900482.G450

Clamping device size SK100	manufacturer product line SPANNTOP nova chuck	Clamping type smooth	Nominal diameter (mm) 45 Millimeter
Clamping method External clamping	manufacturer product line Hainbuch		

### Clamping head SK100 D=46,00mm

Product ID : 10172875

Previous product ID : 900482.G460

Clamping device size SK100	manufacturer product line SPANNTOP nova chuck	Clamping type smooth	Nominal diameter (mm) 46 Millimeter
Clamping method External clamping	manufacturer product line Hainbuch		

### Clamping head SK100 D=47,00mm

Product ID : 10560877

Previous product ID : 900482.G470

Clamping device size SK100	manufacturer product line SPANNTOP nova chuck	Clamping type smooth	Nominal diameter (mm) 47 Millimeter
Clamping method External clamping	manufacturer product line Hainbuch		

### Clamping head SK100 D=48,00mm

Product ID : 10977625

Previous product ID : 900482.G480

Clamping device size <b>SK100</b>	manufacturer product line <b>SPANNTOP nova chuck</b>	Clamping type <b>smooth</b>	Nominal diameter (mm) <b>48 Millimeter</b>
Clamping method <b>External clamping</b>	manufacturer product line <b>Hainbuch</b>		

### Clamping head SK100 D=49,00mm

Product ID : 10765141

Previous product ID : 900482.G490

Clamping device size <b>SK100</b>	manufacturer product line <b>SPANNTOP nova chuck</b>	Clamping type <b>smooth</b>	Nominal diameter (mm) <b>49 Millimeter</b>
Clamping method <b>External clamping</b>	manufacturer product line <b>Hainbuch</b>		

### Clamping head SK100 D=50,00mm

Product ID : 11008584

Previous product ID : 900482.G500

Clamping device size <b>SK100</b>	manufacturer product line <b>SPANNTOP nova chuck</b>	Clamping type <b>smooth</b>	Nominal diameter (mm) <b>50 Millimeter</b>
Clamping method <b>External clamping</b>	manufacturer product line <b>Hainbuch</b>		

### Clamping head SK100 D=51,00mm

Product ID : 10506765

Previous product ID : 900482.G510

Clamping device size <b>SK100</b>	manufacturer product line <b>SPANNTOP nova chuck</b>	Clamping type <b>smooth</b>	Nominal diameter (mm) <b>51 Millimeter</b>
Clamping method <b>External clamping</b>	manufacturer product line <b>Hainbuch</b>		

### Clamping head SK100 D=52,00mm

Product ID : 10106179

Previous product ID : 900482.G520

Clamping device size SK100	manufacturer product line SPANNTOP nova chuck	Clamping type smooth	Nominal diameter (mm) 52 Millimeter
Clamping method External clamping	manufacturer product line Hainbuch		

### Clamping head SK100 D=53,00mm

Product ID : 10877453

Previous product ID : 900482.G530

Clamping device size SK100	manufacturer product line SPANNTOP nova chuck	Clamping type smooth	Nominal diameter (mm) 53 Millimeter
Clamping method External clamping	manufacturer product line Hainbuch		

### Clamping head SK100 D=54,00mm

Product ID : 10799705

Previous product ID : 900482.G540

Clamping device size SK100	manufacturer product line SPANNTOP nova chuck	Clamping type smooth	Nominal diameter (mm) 54 Millimeter
Clamping method External clamping	manufacturer product line Hainbuch		

### Clamping head SK100 D=55,00mm

Product ID : 10030608

Previous product ID : 900482.G550

Clamping device size SK100	manufacturer product line SPANNTOP nova chuck	Clamping type smooth	Nominal diameter (mm) 55 Millimeter
Clamping method External clamping	manufacturer product line Hainbuch		

### Clamping head SK100 D=56,00mm

Product ID : 10694316

Previous product ID : 900482.G560

Clamping device size SK100	manufacturer product line SPANNTOP nova chuck	Clamping type smooth	Nominal diameter (mm) 56 Millimeter
Clamping method External clamping	manufacturer product line Hainbuch		

### Clamping head SK100 D=57,00mm

Product ID : 10924885

Previous product ID : 900482.G570

Clamping device size SK100	manufacturer product line SPANNTOP nova chuck	Clamping type smooth	Nominal diameter (mm) 57 Millimeter
Clamping method External clamping	manufacturer product line Hainbuch		

### Clamping head SK100 D=58,00mm

Product ID : 10417057

Previous product ID : 900482.G580

Clamping device size SK100	manufacturer product line SPANNTOP nova chuck	Clamping type smooth	Nominal diameter (mm) 58 Millimeter
Clamping method External clamping	manufacturer product line Hainbuch		

### Clamping head SK100 D=59,00mm

Product ID : 10725061

Previous product ID : 900482.G590

Clamping device size SK100	manufacturer product line SPANNTOP nova chuck	Clamping type smooth	Nominal diameter (mm) 59 Millimeter
Clamping method External clamping	manufacturer product line Hainbuch		

### Clamping head SK100 D=60,00mm

Product ID : 10517020

Previous product ID : 900482.G600

Clamping device size <b>SK100</b>	manufacturer product line <b>SPANNTOP nova chuck</b>	Clamping type <b>smooth</b>	Nominal diameter (mm) <b>60 Millimeter</b>
Clamping method <b>External clamping</b>	manufacturer product line <b>Hainbuch</b>		

### Clamping head SK100 D=61,00mm

Product ID : 10615594

Previous product ID : 900482.G610

Clamping device size <b>SK100</b>	manufacturer product line <b>SPANNTOP nova chuck</b>	Clamping type <b>smooth</b>	Nominal diameter (mm) <b>61 Millimeter</b>
Clamping method <b>External clamping</b>	manufacturer product line <b>Hainbuch</b>		

### Clamping head SK100 D=62,00mm

Product ID : 10870812

Previous product ID : 900482.G620

Clamping device size <b>SK100</b>	manufacturer product line <b>SPANNTOP nova chuck</b>	Clamping type <b>smooth</b>	Nominal diameter (mm) <b>62 Millimeter</b>
Clamping method <b>External clamping</b>	manufacturer product line <b>Hainbuch</b>		

### Clamping head SK100 D=63,00mm

Product ID : 10927177

Previous product ID : 900482.G630

Clamping device size <b>SK100</b>	manufacturer product line <b>SPANNTOP nova chuck</b>	Clamping type <b>smooth</b>	Nominal diameter (mm) <b>63 Millimeter</b>
Clamping method <b>External clamping</b>	manufacturer product line <b>Hainbuch</b>		

### Clamping head SK100 D=64,00mm

Product ID : 10046404

Previous product ID : 900482.G640

Clamping device size SK100	manufacturer product line SPANNTOP nova chuck	Clamping type smooth	Nominal diameter (mm) 64 Millimeter
Clamping method External clamping	manufacturer product line Hainbuch		

### Clamping head SK100 D=65,00mm

Product ID : 10966557

Previous product ID : 900482.G650

Clamping device size SK100	manufacturer product line SPANNTOP nova chuck	Clamping type smooth	Nominal diameter (mm) 65 Millimeter
Clamping method External clamping	manufacturer product line Hainbuch		

### Clamping head SK100 D=66,00mm

Product ID : 10288817

Previous product ID : 900482.G660

Clamping device size SK100	manufacturer product line SPANNTOP nova chuck	Clamping type smooth	Nominal diameter (mm) 66 Millimeter
Clamping method External clamping	manufacturer product line Hainbuch		

### Clamping head SK100 D=67,00mm

Product ID : 10641524

Previous product ID : 900482.G670

Clamping device size SK100	manufacturer product line SPANNTOP nova chuck	Clamping type smooth	Nominal diameter (mm) 67 Millimeter
Clamping method External clamping	manufacturer product line Hainbuch		

### Clamping head SK100 D=68,00mm

Product ID : 11047033

Previous product ID : 900482.G680

Clamping device size SK100	manufacturer product line SPANNTOP nova chuck	Clamping type smooth	Nominal diameter (mm) 68 Millimeter
Clamping method External clamping	manufacturer product line Hainbuch		

### Clamping head SK100 D=69,00mm

Product ID : 10519286

Previous product ID : 900482.G690

Clamping device size SK100	manufacturer product line SPANNTOP nova chuck	Clamping type smooth	Nominal diameter (mm) 69 Millimeter
Clamping method External clamping	manufacturer product line Hainbuch		

### Clamping head SK100 D=70,00mm

Product ID : 11035791

Previous product ID : 900482.G700

Clamping device size SK100	manufacturer product line SPANNTOP nova chuck	Clamping type smooth	Nominal diameter (mm) 70 Millimeter
Clamping method External clamping	manufacturer product line Hainbuch		

### Clamping head SK100 D=71,00mm

Product ID : 11035735

Previous product ID : 900482.G710

Clamping device size SK100	manufacturer product line SPANNTOP nova chuck	Clamping type smooth	Nominal diameter (mm) 71 Millimeter
Clamping method External clamping	manufacturer product line Hainbuch		

### Clamping head SK100 D=72,00mm

Product ID : 10042347

Previous product ID : 900482.G720

Clamping device size SK100	manufacturer product line SPANNTOP nova chuck	Clamping type smooth	Nominal diameter (mm) 72 Millimeter
Clamping method External clamping	manufacturer product line Hainbuch		

### Clamping head SK100 D=73,00mm

Product ID : 10312641

Previous product ID : 900482.G730

Clamping device size SK100	manufacturer product line SPANNTOP nova chuck	Clamping type smooth	Nominal diameter (mm) 73 Millimeter
Clamping method External clamping	manufacturer product line Hainbuch		

### Clamping head SK100 D=74,00mm

Product ID : 10667728

Previous product ID : 900482.G740

Clamping device size SK100	manufacturer product line SPANNTOP nova chuck	Clamping type smooth	Nominal diameter (mm) 74 Millimeter
Clamping method External clamping	manufacturer product line Hainbuch		

### Clamping head SK100 D=75,00mm

Product ID : 11001369

Previous product ID : 900482.G750

Clamping device size SK100	manufacturer product line SPANNTOP nova chuck	Clamping type smooth	Nominal diameter (mm) 75 Millimeter
Clamping method External clamping	manufacturer product line Hainbuch		

### Clamping head SK100 D=76,00mm

Product ID : 10558087

Previous product ID : 900482.G760

Clamping device size SK100	manufacturer product line SPANNTOP nova chuck	Clamping type smooth	Nominal diameter (mm) 76 Millimeter
Clamping method External clamping	manufacturer product line Hainbuch		

### Clamping head SK100 D=77,00mm

Product ID : 10557618

Previous product ID : 900482.G770

Clamping device size SK100	manufacturer product line SPANNTOP nova chuck	Clamping type smooth	Nominal diameter (mm) 77 Millimeter
Clamping method External clamping	manufacturer product line Hainbuch		

### Clamping head SK100 D=78,00mm

Product ID : 10903866

Previous product ID : 900482.G780

Clamping device size SK100	manufacturer product line SPANNTOP nova chuck	Clamping type smooth	Nominal diameter (mm) 78 Millimeter
Clamping method External clamping	manufacturer product line Hainbuch		

### Clamping head SK100 D=79,00mm

Product ID : 10700752

Previous product ID : 900482.G790

Clamping device size SK100	manufacturer product line SPANNTOP nova chuck	Clamping type smooth	Nominal diameter (mm) 79 Millimeter
Clamping method External clamping	manufacturer product line Hainbuch		

### Clamping head SK100 D=80,00mm

Product ID : 10824681

Previous product ID : 900482.G800

Clamping device size SK100	manufacturer product line SPANNTOP nova chuck	Clamping type smooth	Nominal diameter (mm) 80 Millimeter
Clamping method External clamping	manufacturer product line Hainbuch		

### Clamping head SK100 D=81,00mm

Product ID : 10941183

Previous product ID : 900482.G810

Clamping device size SK100	manufacturer product line SPANNTOP nova chuck	Clamping type smooth	Nominal diameter (mm) 81 Millimeter
Clamping method External clamping	manufacturer product line Hainbuch		

### Clamping head SK100 D=82,00mm

Product ID : 10643268

Previous product ID : 900482.G820

Clamping device size SK100	manufacturer product line SPANNTOP nova chuck	Clamping type smooth	Nominal diameter (mm) 82 Millimeter
Clamping method External clamping	manufacturer product line Hainbuch		

### Clamping head SK100 D=83,00mm

Product ID : 10710745

Previous product ID : 900482.G830

Clamping device size SK100	manufacturer product line SPANNTOP nova chuck	Clamping type smooth	Nominal diameter (mm) 83 Millimeter
Clamping method External clamping	manufacturer product line Hainbuch		

### Clamping head SK100 D=84,00mm

Product ID : 10280515

Previous product ID : 900482.G840

Clamping device size SK100	manufacturer product line SPANNTOP nova chuck	Clamping type smooth	Nominal diameter (mm) 84 Millimeter
Clamping method External clamping	manufacturer product line Hainbuch		

### Clamping head SK100 D=85,00mm

Product ID : 10936753

Previous product ID : 900482.G850

Clamping device size SK100	manufacturer product line SPANNTOP nova chuck	Clamping type smooth	Nominal diameter (mm) 85 Millimeter
Clamping method External clamping	manufacturer product line Hainbuch		

### Clamping head SK100 D=86,00mm

Product ID : 10521240

Previous product ID : 900482.G860

Clamping device size SK100	manufacturer product line SPANNTOP nova chuck	Clamping type smooth	Nominal diameter (mm) 86 Millimeter
Clamping method External clamping	manufacturer product line Hainbuch		

### Clamping head SK100 D=87,00mm

Product ID : 10889017

Previous product ID : 900482.G870

Clamping device size SK100	manufacturer product line SPANNTOP nova chuck	Clamping type smooth	Nominal diameter (mm) 87 Millimeter
Clamping method External clamping	manufacturer product line Hainbuch		

### Clamping head SK100 D=88,00mm

Product ID : 10467939

Previous product ID : 900482.G880

Clamping device size <b>SK100</b>	manufacturer product line <b>SPANNTOP nova chuck</b>	Clamping type <b>smooth</b>	Nominal diameter (mm) <b>88 Millimeter</b>
Clamping method <b>External clamping</b>	manufacturer product line <b>Hainbuch</b>		

### Clamping head SK100 D=89,00mm

Product ID : 10800150

Previous product ID : 900482.G890

Clamping device size <b>SK100</b>	manufacturer product line <b>SPANNTOP nova chuck</b>	Clamping type <b>smooth</b>	Nominal diameter (mm) <b>89 Millimeter</b>
Clamping method <b>External clamping</b>	manufacturer product line <b>Hainbuch</b>		

### Clamping head SK100 D=90,00mm

Product ID : 10012681

Previous product ID : 900482.G900

Clamping device size <b>SK100</b>	manufacturer product line <b>SPANNTOP nova chuck</b>	Clamping type <b>smooth</b>	Nominal diameter (mm) <b>90 Millimeter</b>
Clamping method <b>External clamping</b>	manufacturer product line <b>Hainbuch</b>		

### Clamping head SK100 D=91,00mm

Product ID : 10671461

Previous product ID : 900482.G910

Clamping device size <b>SK100</b>	manufacturer product line <b>SPANNTOP nova chuck</b>	Clamping type <b>smooth</b>	Nominal diameter (mm) <b>91 Millimeter</b>
Clamping method <b>External clamping</b>	manufacturer product line <b>Hainbuch</b>		

### Clamping head SK100 D=92,00mm

Product ID : 10287128

Previous product ID : 900482.G920

Clamping device size SK100	manufacturer product line SPANNTOP nova chuck	Clamping type smooth	Nominal diameter (mm) 92 Millimeter
Clamping method External clamping	manufacturer product line Hainbuch		

### Clamping head SK100 D=93,00mm

Product ID : 10298722

Previous product ID : 900482.G930

Clamping device size SK100	manufacturer product line SPANNTOP nova chuck	Clamping type smooth	Nominal diameter (mm) 93 Millimeter
Clamping method External clamping	manufacturer product line Hainbuch		

### Clamping head SK100 D=94,00mm

Product ID : 10410455

Previous product ID : 900482.G940

Clamping device size SK100	manufacturer product line SPANNTOP nova chuck	Clamping type smooth	Nominal diameter (mm) 94 Millimeter
Clamping method External clamping	manufacturer product line Hainbuch		

### Clamping head SK100 D=95,00mm

Product ID : 10609523

Previous product ID : 900482.G950

Clamping device size SK100	manufacturer product line SPANNTOP nova chuck	Clamping type smooth	Nominal diameter (mm) 95 Millimeter
Clamping method External clamping	manufacturer product line Hainbuch		

### Clamping head SK100 D=96,00mm

Product ID : 10549167

Previous product ID : 900482.G960

Clamping device size <b>SK100</b>	manufacturer product line <b>SPANNTOP nova chuck</b>	Clamping type <b>smooth</b>	Nominal diameter (mm) <b>96 Millimeter</b>
Clamping method <b>External clamping</b>	manufacturer product line <b>Hainbuch</b>		

### Clamping head SK100 D=97,00mm

Product ID : 10456468

Previous product ID : 900482.G970

Clamping device size <b>SK100</b>	manufacturer product line <b>SPANNTOP nova chuck</b>	Clamping type <b>smooth</b>	Nominal diameter (mm) <b>97 Millimeter</b>
Clamping method <b>External clamping</b>	manufacturer product line <b>Hainbuch</b>		

### Clamping head SK100 D=98,00mm

Product ID : 10730598

Previous product ID : 900482.G980

Clamping device size <b>SK100</b>	manufacturer product line <b>SPANNTOP nova chuck</b>	Clamping type <b>smooth</b>	Nominal diameter (mm) <b>98 Millimeter</b>
Clamping method <b>External clamping</b>	manufacturer product line <b>Hainbuch</b>		

### Clamping head SK100 D=99,00mm

Product ID : 10731682

Previous product ID : 900482.G990

Clamping device size <b>SK100</b>	manufacturer product line <b>SPANNTOP nova chuck</b>	Clamping type <b>smooth</b>	Nominal diameter (mm) <b>99 Millimeter</b>
Clamping method <b>External clamping</b>	manufacturer product line <b>Hainbuch</b>		

### Clamping head SK100 D=100,00mm

Product ID : 10659953

Previous product ID : 900482.G000

Clamping device size SK100	manufacturer product line SPANNTOP nova chuck	Clamping type smooth	Nominal diameter (mm) 100 Millimeter
Clamping method External clamping	manufacturer product line Hainbuch		

### Clamping head SK100 D=30,0mm

Product ID : 10519274

Previous product ID : 900482.W300

Clamping device size SK100	manufacturer product line SPANNTOP nova chuck	Clamping type Soft for custom boring	Nominal diameter (mm) 30 Millimeter
Clamping method External clamping	manufacturer product line Hainbuch		

### Clamping head SK100 D=45,0mm

Product ID : 11020097

Previous product ID : 900482.W450

Clamping device size SK100	manufacturer product line SPANNTOP nova chuck	Clamping type Soft for custom boring	Nominal diameter (mm) 45 Millimeter
Clamping method External clamping	manufacturer product line Hainbuch		

### Clamping head SK100 D=65,0mm

Product ID : 10000008

Previous product ID : 900482.W650

Clamping device size SK100	manufacturer product line SPANNTOP nova chuck	Clamping type Soft for custom boring	Nominal diameter (mm) 65 Millimeter
Clamping method External clamping	manufacturer product line Hainbuch		

---

### Clamping head SK100 D=90,0mm

Product ID : 10598784

Previous product ID : 900482.W900

Clamping device size SK100	manufacturer product line SPANNTOP nova chuck	Clamping type Soft for custom boring	Nominal diameter (mm) 90 Millimeter
Clamping method External clamping	manufacturer product line Hainbuch		

### HAINBUCH GREASE 2085/0003

Product ID : 10825733

Previous product ID : 373241.1021

manufacturer product line SPANNTOP nova chuck • SPANNTOP mini chuck • TOPlus chuck • TOPlus chuck mini • TOPlus chuck with end-stop	Clamping method External clamping	manufacturer product line Hainbuch
--	--------------------------------------	--