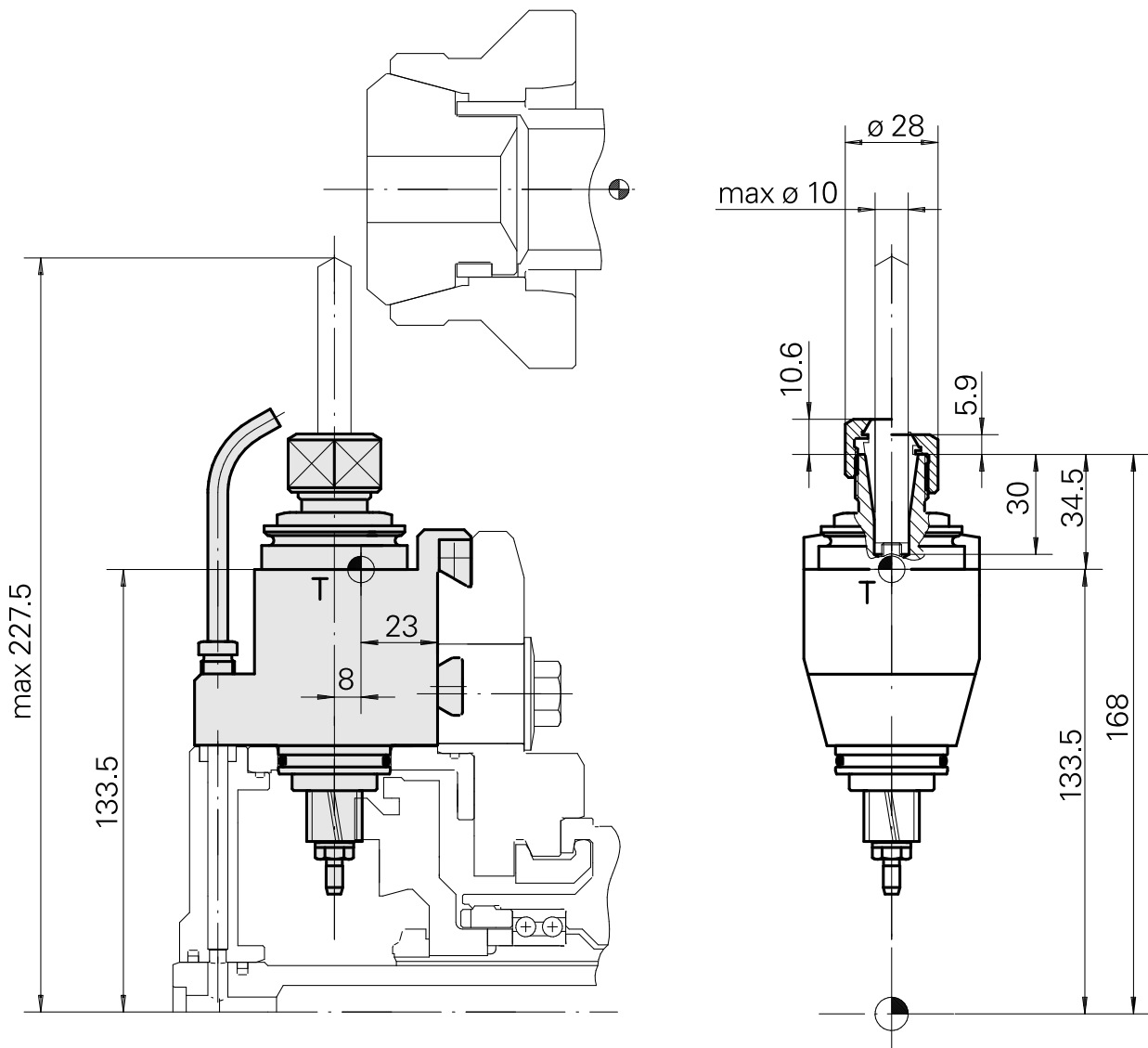
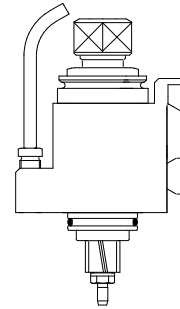


Milling unit Circular prism 1:1 ER16

Technical data

Shank TNL	Circular prism
Drive	Overall drive
Fixation TNL	Central tensioning screw
Speed ratio	1:1
Cooling	external
Pressure	30 bar
Mounting	ER16
INDEX TRAUB products	TNK36 • TNL26



Documents

No downloads available for this product

Accessories

Required for operation

[Spanner](#)

Product ID : 10966369

Previous product ID : 490219.0161

TH accessories category Tool	Mounting ER16	Collet type ER 16	Clamping nut type Female thread
Tools for Collet chucks Clamping nut wrench			

Optional accessories

Tool holder accessories

[Clamping nut](#)

Product ID : 10378189

Previous product ID : 901939.01

TH accessories category Clamping nut	Mounting ER16	Collet type ER 16	Clamping nut type Female thread
---	------------------	----------------------	------------------------------------

Other accessories

[Clamping collet](#)

Product ID : 10589709

Previous product ID : W99903--

[Clamping collet](#)

Product ID : 10834596

Previous product ID : 901930.1---

10008481
836905

INDEX

[tapping tool collet](#)

Product ID : 10865233
Previous product ID : WZ9990.9506F

[tapping tool collet ET-1-16](#)

Product ID : 10542491
Previous product ID : 3230--

[Collet chuck](#)

Product ID : 10870393
Previous product ID : W999065-
