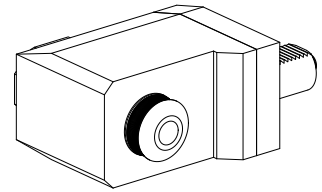


Milling unit VDI 40 2,88:1 DIN 1835 E D2

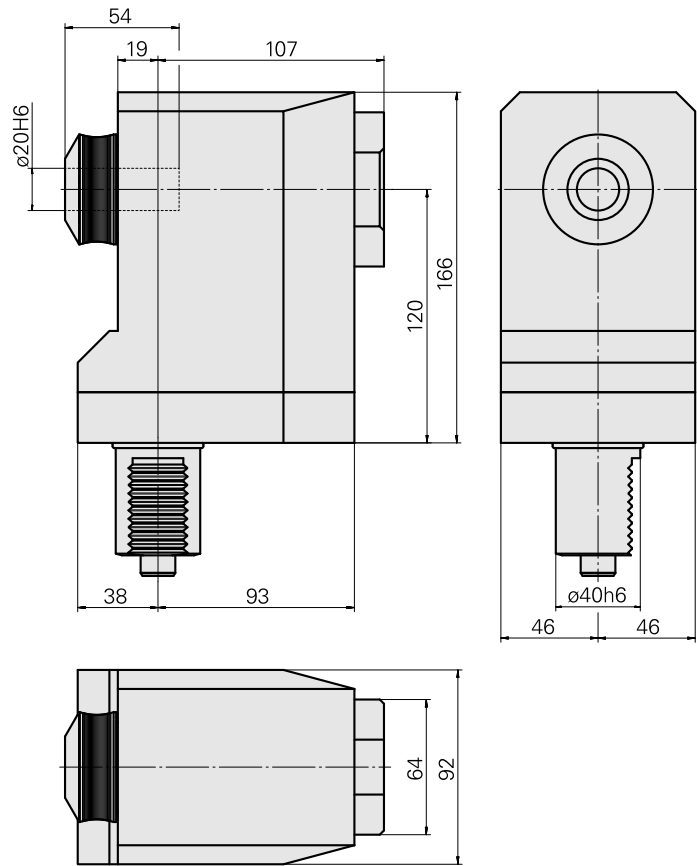
Technical data

Shank VDI	VDI 40
Drive	Spline shaft B17x14
Fixation VDI	Aligning system
Speed ratio	2,88:1
Cooling	external and internal
Pressure	40 bar
Mounting	DIN 1835 E D20
reversible 180°	no
Direction	same as drive direction
X [mm]	120 (4.72")
Y [mm]	–
Z [mm]	44 (1.73)
INDEX TRAUB products	TNA400



Note

No dry-run permitted!



Documents

No downloads available for this product

Accessories

Optional accessories

Tool holder accessories

[Mounting sleeve with collar D20/ 3mm](#)

Product ID : 10908982

Previous product ID : W68511.0403

TH accessories
category
Mounting sleeve with
collar

Mounting
D20

Tool mounting
3mm

[Mounting sleeve with collar D20/ 4mm](#)

Product ID : 10215398

Previous product ID : W68511.0404

TH accessories
category
Mounting sleeve with
collar

Mounting
D20

Tool mounting
4mm

[Mounting sleeve with collar D20/ 5mm](#)

Product ID : 10832261

Previous product ID : W68510.0405

TH accessories
category
Mounting sleeve with
collar

Mounting
D20

Tool mounting
5mm

[Mounting sleeve with collar D20/ 6mm](#)

Product ID : 10048953

Previous product ID : W68510.0406

TH accessories category Mounting sleeve with collar	Mounting D20	Tool mounting 6mm
--	-----------------	----------------------

[Mounting sleeve with collar D20/ 7mm](#)

Product ID : 10224332

Previous product ID : W68510.0407

TH accessories category Mounting sleeve with collar	Mounting D20	Tool mounting 7mm
--	-----------------	----------------------

[Mounting sleeve with collar D20/ 8mm](#)

Product ID : 10184191

Previous product ID : W68510.0408

TH accessories category Mounting sleeve with collar	Mounting D20	Tool mounting 8mm
--	-----------------	----------------------

[Mounting sleeve with collar D20/ 10mm](#)

Product ID : 10258187

Previous product ID : W68510.0410

TH accessories category Mounting sleeve with collar	Mounting D20	Tool mounting 10mm
--	-----------------	-----------------------

[Mounting sleeve with collar D20/ 11mm](#)

Product ID : 11010085

Previous product ID : W68510.0411

TH accessories category Mounting sleeve with collar	Mounting D20	Tool mounting 11mm
--	-----------------	-----------------------

[Mounting sleeve with collar D20/ 12mm](#)

Product ID : 10584331

Previous product ID : W68510.0412

TH accessories category Mounting sleeve with collar	Mounting D20	Tool mounting 12mm
--	-----------------	-----------------------

[Mounting sleeve with collar D20/ 14mm](#)

Product ID : 10681512

Previous product ID : W68510.0414

TH accessories category Mounting sleeve with collar	Mounting D20	Tool mounting 14mm
--	-----------------	-----------------------

[Mounting sleeve with collar D20/ 15mm](#)

Product ID : 10804219

Previous product ID : W68510.0415

TH accessories category Mounting sleeve with collar	Mounting D20	Tool mounting 15mm
--	-----------------	-----------------------

[Mounting sleeve with collar D20/ 16mm](#)

Product ID : 10324366

Previous product ID : W68510.0416

TH accessories category Mounting sleeve with collar	Mounting D20	Tool mounting 16mm
--	-----------------	-----------------------