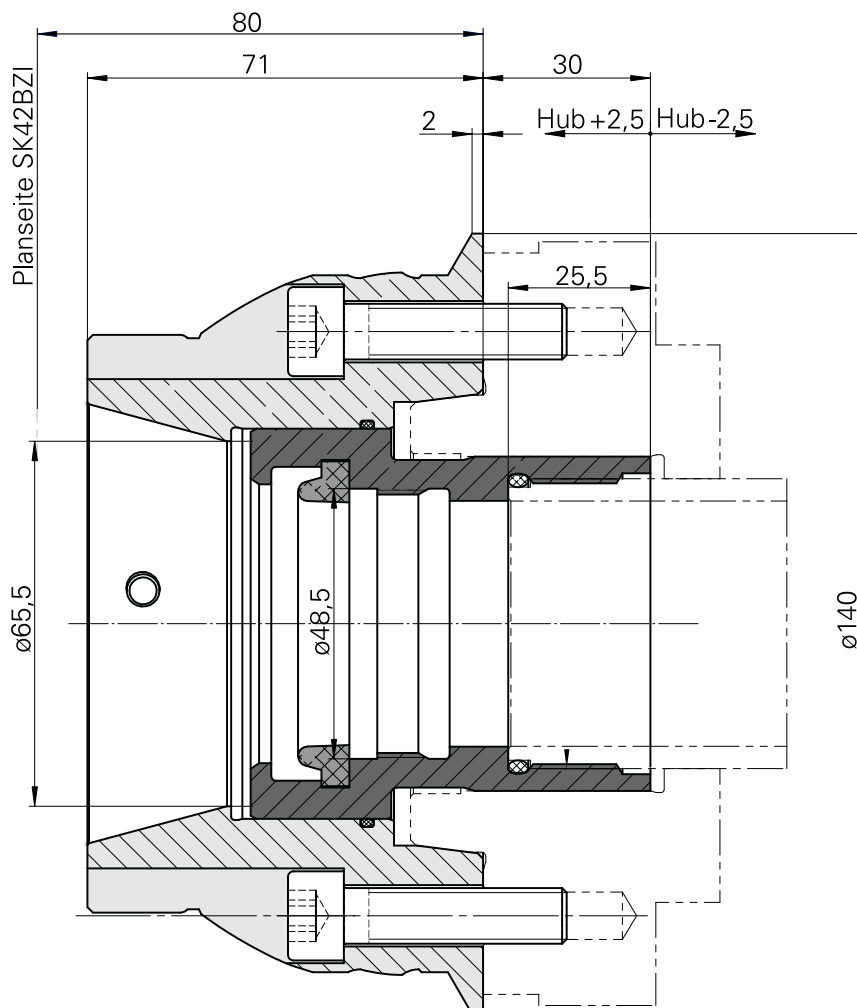
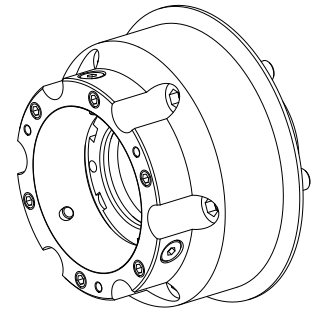


Spannfutter Spanntop D42

Technische Daten

Produkte INDEX TRAUB	C100 • TNK42/65 • G160.2
Spindeldurchlass	42mm
Bearbeitungsseite	Hauptspindel • Gegenspindel
Fremdhersteller Produktmerkmal	Modular
Hersteller Produktlinie	SPANNTOP nova Futter
Spannmittelbaugröße	SK42
Hersteller Produktlinie	Hainbuch



Dokumente

Für dieses Produkt sind keine Downloads vorhanden

Zubehör

Optionales Zubehör

HAINBUCH Markenshop

Fixture

Artikel-Id : 11040206
frühere Artikel-Id : 900442.8202

Clamping device size SK52 • SK42	manufacturer product line SPANNTOP nova chuck • TOPlus chuck	Clamping method External clamping	manufacturer product line Hainbuch
-------------------------------------	---	--------------------------------------	--

Clamping head SK42 AF=12,0mm

Artikel-Id : 10253252
frühere Artikel-Id : 900442.6120

Clamping device size SK42	manufacturer product line SPANNTOP nova chuck	Clamping type Hexagon grooved	Nominal diameter (mm) 12 Millimeter
Clamping method External clamping	manufacturer product line Hainbuch		

Clamping head SK42 SF=14,0mm

Artikel-Id : 10956355
frühere Artikel-Id : 900442.6140

Clamping device size SK42	manufacturer product line SPANNTOP nova chuck	Clamping type Hexagon grooved	Nominal diameter (mm) 14 Millimeter
Clamping method External clamping	manufacturer product line Hainbuch		

Clamping head SK42 AF=15,0mm

Artikel-Id : 10654910
frühere Artikel-Id : 900442.6150

Clamping device size SK42	manufacturer product line SPANNTOP nova chuck	Clamping type Hexagon grooved	Nominal diameter (mm) 15 Millimeter
Clamping method External clamping	manufacturer product line Hainbuch		

Clamping head SK42 AF=20,0mm

Artikel-Id : 10860689
frühere Artikel-Id : 900442.6200

Clamping device size SK42	manufacturer product line SPANNTOP nova chuck	Clamping type Hexagon grooved	Nominal diameter (mm) 20 Millimeter
Clamping method External clamping	manufacturer product line Hainbuch		

Clamping head SK42 D=41,0mm

Artikel-Id : 10095931
frühere Artikel-Id : 900442.2410

Clamping device size SK42	manufacturer product line SPANNTOP nova chuck	Clamping type smooth	Nominal diameter (mm) 41 Millimeter
Clamping method External clamping	manufacturer product line Hainbuch		

Clamping head SK42 D=41,5mm

Artikel-Id : 10241699
frühere Artikel-Id : 900442.2415

Clamping device size SK42	manufacturer product line SPANNTOP nova chuck	Clamping type smooth	Nominal diameter (mm) 41.5 Millimeter
Clamping method External clamping	manufacturer product line Hainbuch		

Clamping head SK42 D=42,0mm

Artikel-Id : 10064622
frühere Artikel-Id : 900442.2420

Clamping device size SK42	manufacturer product line SPANNTOP nova chuck	Clamping type smooth	Nominal diameter (mm) 42 Millimeter
Clamping method External clamping	manufacturer product line Hainbuch		

Clamping head SK42 D=8,0mm

Artikel-Id : 10104931
frühere Artikel-Id : 900442.3080

Clamping device size SK42	manufacturer product line SPANNTOP nova chuck	Clamping type Soft for custom boring	Nominal diameter (mm) 8 Millimeter
Clamping method External clamping	manufacturer product line Hainbuch		

Clamping head SK42 D=15,0mm

Artikel-Id : 10651407
frühere Artikel-Id : 900442.3150

Clamping device size SK42	manufacturer product line SPANNTOP nova chuck	Clamping type Soft for custom boring	Nominal diameter (mm) 15 Millimeter
Clamping method External clamping	manufacturer product line Hainbuch		

Clamping head SK42 D=30,0mm

Artikel-Id : 10726684
frühere Artikel-Id : 900442.3300

Clamping device size SK42	manufacturer product line SPANNTOP nova chuck	Clamping type Soft for custom boring	Nominal diameter (mm) 30 Millimeter
Clamping method External clamping	manufacturer product line Hainbuch		

Clamping head SK42 square=20,0mm

Artikel-Id : 10455885
frühere Artikel-Id : 900442.4200

Clamping device size SK42	manufacturer product line SPANNTOP nova chuck	Clamping type Square grooved	Nominal diameter (mm) 20 Millimeter
Clamping method External clamping	manufacturer product line Hainbuch		

Spannkopf SK42 D=4,0mm

Artikel-Id : 10715059
frühere Artikel-Id : 900463.4204

Clamping device size SK42	manufacturer product line SPANNTOP nova chuck	Clamping type grooved	Nominal diameter (mm) 4 Millimeter
Clamping method External clamping	manufacturer product line Hainbuch		

Spannkopf SK42 D=5,0mm

Artikel-Id : 10032466
frühere Artikel-Id : 900463.4205

Clamping device size SK42	manufacturer product line SPANNTOP nova chuck	Clamping type grooved	Nominal diameter (mm) 5 Millimeter
Clamping method External clamping	manufacturer product line Hainbuch		

Spannkopf SK42 D=7,0mm

Artikel-Id : 10264171
frühere Artikel-Id : 900463.4207

Clamping device size SK42	manufacturer product line SPANNTOP nova chuck	Clamping type grooved	Nominal diameter (mm) 7 Millimeter
Clamping method External clamping	manufacturer product line Hainbuch		

Spannkopf SK42 D=8,0mm

Artikel-Id : 10220135
frühere Artikel-Id : 900463.4208

Clamping device size SK42	manufacturer product line SPANNTOP nova chuck	Clamping type grooved	Nominal diameter (mm) 8 Millimeter
Clamping method External clamping	manufacturer product line Hainbuch		

Spannkopf SK42 D=9,0mm

Artikel-Id : 10712846
frühere Artikel-Id : 900463.4209

Clamping device size SK42	manufacturer product line SPANNTOP nova chuck	Clamping type grooved	Nominal diameter (mm) 9 Millimeter
Clamping method External clamping	manufacturer product line Hainbuch		

Spannkopf SK42 D=10,0mm

Artikel-Id : 10346669
frühere Artikel-Id : 900463.4210

Clamping device size SK42	manufacturer product line SPANNTOP nova chuck	Clamping type grooved	Nominal diameter (mm) 10 Millimeter
Clamping method External clamping	manufacturer product line Hainbuch		

Spannkopf SK42 D=11,0mm

Artikel-Id : 10501633
frühere Artikel-Id : 900463.4211

Clamping device size SK42	manufacturer product line SPANNTOP nova chuck	Clamping type grooved	Nominal diameter (mm) 11 Millimeter
Clamping method External clamping	manufacturer product line Hainbuch		

Spannkopf SK42 D=12,0mm

Artikel-Id : 10687981
frühere Artikel-Id : 900463.4212

Clamping device size SK42	manufacturer product line SPANNTOP nova chuck	Clamping type grooved	Nominal diameter (mm) 12 Millimeter
Clamping method External clamping	manufacturer product line Hainbuch		

Spannkopf SK42 D=13,0mm

Artikel-Id : 10552326
frühere Artikel-Id : 900463.4213

Clamping device size SK42	manufacturer product line SPANNTOP nova chuck	Clamping type grooved	Nominal diameter (mm) 13 Millimeter
Clamping method External clamping	manufacturer product line Hainbuch		

Spannkopf SK42 D=14,0mm

Artikel-Id : 10440645
frühere Artikel-Id : 900463.4214

Clamping device size SK42	manufacturer product line SPANNTOP nova chuck	Clamping type grooved	Nominal diameter (mm) 14 Millimeter
Clamping method External clamping	manufacturer product line Hainbuch		

Spannkopf SK42 D=15,0mm

Artikel-Id : 10166844
frühere Artikel-Id : 900463.4215

Clamping device size SK42	manufacturer product line SPANNTOP nova chuck	Clamping type grooved	Nominal diameter (mm) 15 Millimeter
Clamping method External clamping	manufacturer product line Hainbuch		

Spannkopf SK42 D=16,0mm

Artikel-Id : 11073118
frühere Artikel-Id : 900463.4216

Clamping device size SK42	manufacturer product line SPANNTOP nova chuck	Clamping type grooved	Nominal diameter (mm) 16 Millimeter
Clamping method External clamping	manufacturer product line Hainbuch		

Spannkopf SK42 D=17,0mm

Artikel-Id : 10686366
frühere Artikel-Id : 900463.4217

Clamping device size SK42	manufacturer product line SPANNTOP nova chuck	Clamping type grooved	Nominal diameter (mm) 17 Millimeter
Clamping method External clamping	manufacturer product line Hainbuch		

Spannkopf SK42 D=18,0mm

Artikel-Id : 10409915
frühere Artikel-Id : 900463.4218

Clamping device size SK42	manufacturer product line SPANNTOP nova chuck	Clamping type grooved	Nominal diameter (mm) 18 Millimeter
Clamping method External clamping	manufacturer product line Hainbuch		

Spannkopf SK42 D=19,0mm

Artikel-Id : 11056432
frühere Artikel-Id : 900463.4219

Clamping device size SK42	manufacturer product line SPANNTOP nova chuck	Clamping type grooved	Nominal diameter (mm) 19 Millimeter
Clamping method External clamping	manufacturer product line Hainbuch		

Spannkopf SK42 D=20,0mm

Artikel-Id : 10422880
frühere Artikel-Id : 900463.4220

Clamping device size SK42	manufacturer product line SPANNTOP nova chuck	Clamping type grooved	Nominal diameter (mm) 20 Millimeter
Clamping method External clamping	manufacturer product line Hainbuch		

Spannkopf SK42 D=21,0mm

Artikel-Id : 10451991
frühere Artikel-Id : 900463.4221

Clamping device size SK42	manufacturer product line SPANNTOP nova chuck	Clamping type grooved	Nominal diameter (mm) 21 Millimeter
Clamping method External clamping	manufacturer product line Hainbuch		

Spannkopf SK42 D=22,0mm

Artikel-Id : 10382579
frühere Artikel-Id : 900463.4222

Clamping device size SK42	manufacturer product line SPANNTOP nova chuck	Clamping type grooved	Nominal diameter (mm) 22 Millimeter
Clamping method External clamping	manufacturer product line Hainbuch		

Spannkopf SK42 D=23,0mm

Artikel-Id : 10431117
frühere Artikel-Id : 900463.4223

Clamping device size SK42	manufacturer product line SPANNTOP nova chuck	Clamping type grooved	Nominal diameter (mm) 23 Millimeter
Clamping method External clamping	manufacturer product line Hainbuch		

Spannkopf SK42 D=24,0mm

Artikel-Id : 10853339
frühere Artikel-Id : 900463.4224

Clamping device size SK42	manufacturer product line SPANNTOP nova chuck	Clamping type grooved	Nominal diameter (mm) 24 Millimeter
Clamping method External clamping	manufacturer product line Hainbuch		

Spannkopf SK42 D=25,0mm

Artikel-Id : 11002448
frühere Artikel-Id : 900463.4225

Clamping device size SK42	manufacturer product line SPANNTOP nova chuck	Clamping type grooved	Nominal diameter (mm) 25 Millimeter
Clamping method External clamping	manufacturer product line Hainbuch		

Spannkopf SK42 D=26,0mm

Artikel-Id : 10826373
frühere Artikel-Id : 900463.4226

Clamping device size SK42	manufacturer product line SPANNTOP nova chuck	Clamping type grooved	Nominal diameter (mm) 26 Millimeter
Clamping method External clamping	manufacturer product line Hainbuch		

Spannkopf SK42 D=27,0mm

Artikel-Id : 10147870
frühere Artikel-Id : 900463.4227

Clamping device size SK42	manufacturer product line SPANNTOP nova chuck	Clamping type grooved	Nominal diameter (mm) 27 Millimeter
Clamping method External clamping	manufacturer product line Hainbuch		

Spannkopf SK42 D=28,0mm

Artikel-Id : 11027726
frühere Artikel-Id : 900463.4228

Clamping device size SK42	manufacturer product line SPANNTOP nova chuck	Clamping type grooved	Nominal diameter (mm) 28 Millimeter
Clamping method External clamping	manufacturer product line Hainbuch		

Spannkopf SK42 D=29,0mm

Artikel-Id : 10472777
frühere Artikel-Id : 900463.4229

Clamping device size SK42	manufacturer product line SPANNTOP nova chuck	Clamping type grooved	Nominal diameter (mm) 29 Millimeter
Clamping method External clamping	manufacturer product line Hainbuch		

Spannkopf SK42 D=30,0mm

Artikel-Id : 10718531
frühere Artikel-Id : 900463.4230

Clamping device size SK42	manufacturer product line SPANNTOP nova chuck	Clamping type grooved	Nominal diameter (mm) 30 Millimeter
Clamping method External clamping	manufacturer product line Hainbuch		

Spannkopf SK42 D=31,0mm

Artikel-Id : 10080802
frühere Artikel-Id : 900463.4231

Clamping device size SK42	manufacturer product line SPANNTOP nova chuck	Clamping type grooved	Nominal diameter (mm) 31 Millimeter
Clamping method External clamping	manufacturer product line Hainbuch		

Spannkopf SK42 D=32,0mm

Artikel-Id : 10293683
frühere Artikel-Id : 900463.4232

Clamping device size SK42	manufacturer product line SPANNTOP nova chuck	Clamping type grooved	Nominal diameter (mm) 32 Millimeter
Clamping method External clamping	manufacturer product line Hainbuch		

Spannkopf SK42 D=33,0mm

Artikel-Id : 10448577
frühere Artikel-Id : 900463.4233

Clamping device size SK42	manufacturer product line SPANNTOP nova chuck	Clamping type grooved	Nominal diameter (mm) 33 Millimeter
Clamping method External clamping	manufacturer product line Hainbuch		

Spannkopf SK42 D=34,0mm

Artikel-Id : 10748218
frühere Artikel-Id : 900463.4234

Clamping device size SK42	manufacturer product line SPANNTOP nova chuck	Clamping type grooved	Nominal diameter (mm) 34 Millimeter
Clamping method External clamping	manufacturer product line Hainbuch		

Spannkopf SK42 D=35,0mm

Artikel-Id : 10587182
frühere Artikel-Id : 900463.4235

Clamping device size SK42	manufacturer product line SPANNTOP nova chuck	Clamping type grooved	Nominal diameter (mm) 35 Millimeter
Clamping method External clamping	manufacturer product line Hainbuch		

Spannkopf SK42 D=36,0mm

Artikel-Id : 10124721
frühere Artikel-Id : 900463.4236

Clamping device size SK42	manufacturer product line SPANNTOP nova chuck	Clamping type grooved	Nominal diameter (mm) 36 Millimeter
Clamping method External clamping	manufacturer product line Hainbuch		

Spannkopf SK42 D=37,0mm

Artikel-Id : 10157007
frühere Artikel-Id : 900463.4237

Clamping device size SK42	manufacturer product line SPANNTOP nova chuck	Clamping type grooved	Nominal diameter (mm) 37 Millimeter
Clamping method External clamping	manufacturer product line Hainbuch		

Spannkopf SK42 D=38,0mm

Artikel-Id : 11035530
frühere Artikel-Id : 900463.4238

Clamping device size SK42	manufacturer product line SPANNTOP nova chuck	Clamping type grooved	Nominal diameter (mm) 38 Millimeter
Clamping method External clamping	manufacturer product line Hainbuch		

Spannkopf SK42 D=39,0mm

Artikel-Id : 11035082
frühere Artikel-Id : 900463.4239

Clamping device size SK42	manufacturer product line SPANNTOP nova chuck	Clamping type grooved	Nominal diameter (mm) 39 Millimeter
Clamping method External clamping	manufacturer product line Hainbuch		

Spannkopf SK42 D=40,0mm

Artikel-Id : 10310477
frühere Artikel-Id : 900463.4240

Clamping device size SK42	manufacturer product line SPANNTOP nova chuck	Clamping type grooved	Nominal diameter (mm) 40 Millimeter
Clamping method External clamping	manufacturer product line Hainbuch		

Spannkopf SK42 D=41,0mm

Artikel-Id : 10536795
frühere Artikel-Id : 900463.4241

Clamping device size SK42	manufacturer product line SPANNTOP nova chuck	Clamping type grooved	Nominal diameter (mm) 41 Millimeter
Clamping method External clamping	manufacturer product line Hainbuch		

Spannkopf SK42 D=42,0mm

Artikel-Id : 10543216
frühere Artikel-Id : 900463.4242

Clamping device size SK42	manufacturer product line SPANNTOP nova chuck	Clamping type grooved	Nominal diameter (mm) 42 Millimeter
Clamping method External clamping	manufacturer product line Hainbuch		

Spannkopf SK42 D=4,0mm

Artikel-Id : 10494929
frühere Artikel-Id : 900442.2040

Clamping device size SK42	manufacturer product line SPANNTOP nova chuck	Clamping type smooth	Nominal diameter (mm) 4 Millimeter
Clamping method External clamping	manufacturer product line Hainbuch		

Spannkopf SK42 D=4,5mm

Artikel-Id : 10796191
frühere Artikel-Id : 900442.2045

Clamping device size SK42	manufacturer product line SPANNTOP nova chuck	Clamping type smooth	Nominal diameter (mm) 4.5 Millimeter
Clamping method External clamping	manufacturer product line Hainbuch		

Spannkopf SK42 D=5,0mm

Artikel-Id : 10781871
frühere Artikel-Id : 900442.2050

Clamping device size SK42	manufacturer product line SPANNTOP nova chuck	Clamping type smooth	Nominal diameter (mm) 5 Millimeter
Clamping method External clamping	manufacturer product line Hainbuch		

Spannkopf SK42 D=5,5mm

Artikel-Id : 11000901
frühere Artikel-Id : 900442.2055

Clamping device size SK42	manufacturer product line SPANNTOP nova chuck	Clamping type smooth	Nominal diameter (mm) 5.5 Millimeter
Clamping method External clamping	manufacturer product line Hainbuch		

Spannkopf SK42 D=6,0mm

Artikel-Id : 10488153
frühere Artikel-Id : 900442.2060

Clamping device size SK42	manufacturer product line SPANNTOP nova chuck	Clamping type smooth	Nominal diameter (mm) 6 Millimeter
Clamping method External clamping	manufacturer product line Hainbuch		

Spannkopf SK42 D=6,5mm

Artikel-Id : 10322397
frühere Artikel-Id : 900442.2065

Clamping device size SK42	manufacturer product line SPANNTOP nova chuck	Clamping type smooth	Nominal diameter (mm) 6.5 Millimeter
Clamping method External clamping	manufacturer product line Hainbuch		

Spannkopf SK42 D=7,0mm

Artikel-Id : 10393860
frühere Artikel-Id : 900442.2070

Clamping device size SK42	manufacturer product line SPANNTOP nova chuck	Clamping type smooth	Nominal diameter (mm) 7 Millimeter
Clamping method External clamping	manufacturer product line Hainbuch		

Spannkopf SK42 D=7,5mm

Artikel-Id : 10296078
frühere Artikel-Id : 900442.2075

Clamping device size SK42	manufacturer product line SPANNTOP nova chuck	Clamping type smooth	Nominal diameter (mm) 7.5 Millimeter
Clamping method External clamping	manufacturer product line Hainbuch		

Spannkopf SK42 D=8,0mm

Artikel-Id : 10369119
frühere Artikel-Id : 900442.2080

Clamping device size SK42	manufacturer product line SPANNTOP nova chuck	Clamping type smooth	Nominal diameter (mm) 8 Millimeter
Clamping method External clamping	manufacturer product line Hainbuch		

Spannkopf SK42 D=8,5mm

Artikel-Id : 10356904
frühere Artikel-Id : 900442.2085

Clamping device size SK42	manufacturer product line SPANNTOP nova chuck	Clamping type smooth	Nominal diameter (mm) 8.5 Millimeter
Clamping method External clamping	manufacturer product line Hainbuch		

Spannkopf SK42 D=9,0mm

Artikel-Id : 10454621
frühere Artikel-Id : 900442.2090

Clamping device size SK42	manufacturer product line SPANNTOP nova chuck	Clamping type smooth	Nominal diameter (mm) 9 Millimeter
Clamping method External clamping	manufacturer product line Hainbuch		

Spannkopf SK42 D=9,5mm

Artikel-Id : 10230063
frühere Artikel-Id : 900442.2095

Clamping device size SK42	manufacturer product line SPANNTOP nova chuck	Clamping type smooth	Nominal diameter (mm) 9.5 Millimeter
Clamping method External clamping	manufacturer product line Hainbuch		

Spannkopf SK42 D=10,0mm

Artikel-Id : 10230858
frühere Artikel-Id : 900442.2100

Clamping device size SK42	manufacturer product line SPANNTOP nova chuck	Clamping type smooth	Nominal diameter (mm) 10 Millimeter
Clamping method External clamping	manufacturer product line Hainbuch		

Spannkopf SK42 D=10,5mm

Artikel-Id : 10745846
frühere Artikel-Id : 900442.2105

Clamping device size SK42	manufacturer product line SPANNTOP nova chuck	Clamping type smooth	Nominal diameter (mm) 10.5 Millimeter
Clamping method External clamping	manufacturer product line Hainbuch		

Spannkopf SK42 D=11,0mm

Artikel-Id : 10322253
frühere Artikel-Id : 900442.2110

Clamping device size SK42	manufacturer product line SPANNTOP nova chuck	Clamping type smooth	Nominal diameter (mm) 11 Millimeter
Clamping method External clamping	manufacturer product line Hainbuch		

Spannkopf SK42 D=11,5mm

Artikel-Id : 11035648
frühere Artikel-Id : 900442.2115

Clamping device size SK42	manufacturer product line SPANNTOP nova chuck	Clamping type smooth	Nominal diameter (mm) 11.5 Millimeter
Clamping method External clamping	manufacturer product line Hainbuch		

Spannkopf SK42 D=12,0mm

Artikel-Id : 10736394
frühere Artikel-Id : 900442.2120

Clamping device size SK42	manufacturer product line SPANNTOP nova chuck	Clamping type smooth	Nominal diameter (mm) 12 Millimeter
Clamping method External clamping	manufacturer product line Hainbuch		

Spannkopf SK42 D=12,5mm

Artikel-Id : 10498897
frühere Artikel-Id : 900442.2125

Clamping device size SK42	manufacturer product line SPANNTOP nova chuck	Clamping type smooth	Nominal diameter (mm) 12.5 Millimeter
Clamping method External clamping	manufacturer product line Hainbuch		

Spannkopf SK42 D=13,0mm

Artikel-Id : 10408305
frühere Artikel-Id : 900442.2130

Clamping device size SK42	manufacturer product line SPANNTOP nova chuck	Clamping type smooth	Nominal diameter (mm) 13 Millimeter
Clamping method External clamping	manufacturer product line Hainbuch		

Spannkopf SK42 D=13,5mm

Artikel-Id : 10076036
frühere Artikel-Id : 900442.2135

Clamping device size SK42	manufacturer product line SPANNTOP nova chuck	Clamping type smooth	Nominal diameter (mm) 13.5 Millimeter
Clamping method External clamping	manufacturer product line Hainbuch		

Spannkopf SK42 D=14,0mm

Artikel-Id : 10131582
frühere Artikel-Id : 900442.2140

Clamping device size SK42	manufacturer product line SPANNTOP nova chuck	Clamping type smooth	Nominal diameter (mm) 14 Millimeter
Clamping method External clamping	manufacturer product line Hainbuch		

Spannkopf SK42 D=14,5mm

Artikel-Id : 10192317
frühere Artikel-Id : 900442.2145

Clamping device size SK42	manufacturer product line SPANNTOP nova chuck	Clamping type smooth	Nominal diameter (mm) 14.5 Millimeter
Clamping method External clamping	manufacturer product line Hainbuch		

Spannkopf SK42 D=15,0mm

Artikel-Id : 10536653
frühere Artikel-Id : 900442.2150

Clamping device size SK42	manufacturer product line SPANNTOP nova chuck	Clamping type smooth	Nominal diameter (mm) 15 Millimeter
Clamping method External clamping	manufacturer product line Hainbuch		

Spannkopf SK42 D=15,5mm

Artikel-Id : 10378122
frühere Artikel-Id : 900442.2155

Clamping device size SK42	manufacturer product line SPANNTOP nova chuck	Clamping type smooth	Nominal diameter (mm) 15.5 Millimeter
Clamping method External clamping	manufacturer product line Hainbuch		

Spannkopf SK42 D=16,0mm

Artikel-Id : 10571339
frühere Artikel-Id : 900442.2160

Clamping device size SK42	manufacturer product line SPANNTOP nova chuck	Clamping type smooth	Nominal diameter (mm) 16 Millimeter
Clamping method External clamping	manufacturer product line Hainbuch		

Spannkopf SK42 D=16,5mm

Artikel-Id : 10233116
frühere Artikel-Id : 900442.2165

Clamping device size SK42	manufacturer product line SPANNTOP nova chuck	Clamping type smooth	Nominal diameter (mm) 16.5 Millimeter
Clamping method External clamping	manufacturer product line Hainbuch		

Spannkopf SK42 D=17,0mm

Artikel-Id : 10866883
frühere Artikel-Id : 900442.2170

Clamping device size SK42	manufacturer product line SPANNTOP nova chuck	Clamping type smooth	Nominal diameter (mm) 17 Millimeter
Clamping method External clamping	manufacturer product line Hainbuch		

Spannkopf SK42 D=17,5mm

Artikel-Id : 10982914
frühere Artikel-Id : 900442.2175

Clamping device size SK42	manufacturer product line SPANNTOP nova chuck	Clamping type smooth	Nominal diameter (mm) 17.5 Millimeter
Clamping method External clamping	manufacturer product line Hainbuch		

Spannkopf SK42 D=18,0mm

Artikel-Id : 10890180
frühere Artikel-Id : 900442.2180

Clamping device size SK42	manufacturer product line SPANNTOP nova chuck	Clamping type smooth	Nominal diameter (mm) 18 Millimeter
Clamping method External clamping	manufacturer product line Hainbuch		

Spannkopf SK42 D=18,5mm

Artikel-Id : 10377553
frühere Artikel-Id : 900442.2185

Clamping device size SK42	manufacturer product line SPANNTOP nova chuck	Clamping type smooth	Nominal diameter (mm) 18.5 Millimeter
Clamping method External clamping	manufacturer product line Hainbuch		

Spannkopf SK42 D=19,0mm

Artikel-Id : 10572905
frühere Artikel-Id : 900442.2190

Clamping device size SK42	manufacturer product line SPANNTOP nova chuck	Clamping type smooth	Nominal diameter (mm) 19 Millimeter
Clamping method External clamping	manufacturer product line Hainbuch		

Spannkopf SK42 D=19,5mm

Artikel-Id : 10795440
frühere Artikel-Id : 900442.2195

Clamping device size SK42	manufacturer product line SPANNTOP nova chuck	Clamping type smooth	Nominal diameter (mm) 19.5 Millimeter
Clamping method External clamping	manufacturer product line Hainbuch		

Spannkopf SK42 D=20,0mm

Artikel-Id : 10420365
frühere Artikel-Id : 900442.2200

Clamping device size SK42	manufacturer product line SPANNTOP nova chuck	Clamping type smooth	Nominal diameter (mm) 20 Millimeter
Clamping method External clamping	manufacturer product line Hainbuch		

Spannkopf SK42 D=20,5mm

Artikel-Id : 10760363
frühere Artikel-Id : 900442.2205

Clamping device size SK42	manufacturer product line SPANNTOP nova chuck	Clamping type smooth	Nominal diameter (mm) 20.5 Millimeter
Clamping method External clamping	manufacturer product line Hainbuch		

Spannkopf SK42 D=21,0mm

Artikel-Id : 10111086
frühere Artikel-Id : 900442.2210

Clamping device size SK42	manufacturer product line SPANNTOP nova chuck	Clamping type smooth	Nominal diameter (mm) 21 Millimeter
Clamping method External clamping	manufacturer product line Hainbuch		

Spannkopf SK42 D=21,5mm

Artikel-Id : 10655843
frühere Artikel-Id : 900442.2215

Clamping device size SK42	manufacturer product line SPANNTOP nova chuck	Clamping type smooth	Nominal diameter (mm) 21.5 Millimeter
Clamping method External clamping	manufacturer product line Hainbuch		

Spannkopf SK42 D=22,0mm

Artikel-Id : 11031353
frühere Artikel-Id : 900442.2220

Clamping device size SK42	manufacturer product line SPANNTOP nova chuck	Clamping type smooth	Nominal diameter (mm) 22 Millimeter
Clamping method External clamping	manufacturer product line Hainbuch		

Spannkopf SK42 D=22,5mm

Artikel-Id : 10709151
frühere Artikel-Id : 900442.2225

Clamping device size SK42	manufacturer product line SPANNTOP nova chuck	Clamping type smooth	Nominal diameter (mm) 22.5 Millimeter
Clamping method External clamping	manufacturer product line Hainbuch		

Spannkopf SK42 D=23,0mm

Artikel-Id : 10250684
frühere Artikel-Id : 900442.2230

Clamping device size SK42	manufacturer product line SPANNTOP nova chuck	Clamping type smooth	Nominal diameter (mm) 23 Millimeter
Clamping method External clamping	manufacturer product line Hainbuch		

Spannkopf SK42 D=23,5mm

Artikel-Id : 10070177
frühere Artikel-Id : 900442.2235

Clamping device size SK42	manufacturer product line SPANNTOP nova chuck	Clamping type smooth	Nominal diameter (mm) 23.5 Millimeter
Clamping method External clamping	manufacturer product line Hainbuch		

Spannkopf SK42 D=24,0mm

Artikel-Id : 10485798
frühere Artikel-Id : 900442.2240

Clamping device size SK42	manufacturer product line SPANNTOP nova chuck	Clamping type smooth	Nominal diameter (mm) 24 Millimeter
Clamping method External clamping	manufacturer product line Hainbuch		

Spannkopf SK42 D=24,5mm

Artikel-Id : 10932475
frühere Artikel-Id : 900442.2245

Clamping device size SK42	manufacturer product line SPANNTOP nova chuck	Clamping type smooth	Nominal diameter (mm) 24.5 Millimeter
Clamping method External clamping	manufacturer product line Hainbuch		

Spannkopf SK42 D=25,0mm

Artikel-Id : 10372554
frühere Artikel-Id : 900442.2250

Clamping device size SK42	manufacturer product line SPANNTOP nova chuck	Clamping type smooth	Nominal diameter (mm) 25 Millimeter
Clamping method External clamping	manufacturer product line Hainbuch		

Spannkopf SK42 D=25,5mm

Artikel-Id : 10019804
frühere Artikel-Id : 900442.2255

Clamping device size SK42	manufacturer product line SPANNTOP nova chuck	Clamping type smooth	Nominal diameter (mm) 25.5 Millimeter
Clamping method External clamping	manufacturer product line Hainbuch		

Spannkopf SK42 D=26,0mm

Artikel-Id : 10109755
frühere Artikel-Id : 900442.2260

Clamping device size SK42	manufacturer product line SPANNTOP nova chuck	Clamping type smooth	Nominal diameter (mm) 26 Millimeter
Clamping method External clamping	manufacturer product line Hainbuch		

Spannkopf SK42 D=26,5mm

Artikel-Id : 10949113
frühere Artikel-Id : 900442.2265

Clamping device size SK42	manufacturer product line SPANNTOP nova chuck	Clamping type smooth	Nominal diameter (mm) 26.5 Millimeter
Clamping method External clamping	manufacturer product line Hainbuch		

Spannkopf SK42 D=27,0mm

Artikel-Id : 10953062
frühere Artikel-Id : 900442.2270

Clamping device size SK42	manufacturer product line SPANNTOP nova chuck	Clamping type smooth	Nominal diameter (mm) 27 Millimeter
Clamping method External clamping	manufacturer product line Hainbuch		

Spannkopf SK42 D=27,5mm

Artikel-Id : 10570512
frühere Artikel-Id : 900442.2275

Clamping device size SK42	manufacturer product line SPANNTOP nova chuck	Clamping type smooth	Nominal diameter (mm) 27.5 Millimeter
Clamping method External clamping	manufacturer product line Hainbuch		

Spannkopf SK42 D=28,0mm

Artikel-Id : 10480401
frühere Artikel-Id : 900442.2280

Clamping device size SK42	manufacturer product line SPANNTOP nova chuck	Clamping type smooth	Nominal diameter (mm) 28 Millimeter
Clamping method External clamping	manufacturer product line Hainbuch		

Spannkopf SK42 D=28,5mm

Artikel-Id : 10948921
frühere Artikel-Id : 900442.2285

Clamping device size SK42	manufacturer product line SPANNTOP nova chuck	Clamping type smooth	Nominal diameter (mm) 28.5 Millimeter
Clamping method External clamping	manufacturer product line Hainbuch		

Spannkopf SK42 D=29,0mm

Artikel-Id : 10862117
frühere Artikel-Id : 900442.2290

Clamping device size SK42	manufacturer product line SPANNTOP nova chuck	Clamping type smooth	Nominal diameter (mm) 29 Millimeter
Clamping method External clamping	manufacturer product line Hainbuch		

Spannkopf SK42 D=29,5mm

Artikel-Id : 10821012
frühere Artikel-Id : 900442.2295

Clamping device size SK42	manufacturer product line SPANNTOP nova chuck	Clamping type smooth	Nominal diameter (mm) 29.5 Millimeter
Clamping method External clamping	manufacturer product line Hainbuch		

Spannkopf SK42 D=30,0mm

Artikel-Id : 10375567
frühere Artikel-Id : 900442.2300

Clamping device size SK42	manufacturer product line SPANNTOP nova chuck	Clamping type smooth	Nominal diameter (mm) 30 Millimeter
Clamping method External clamping	manufacturer product line Hainbuch		

Spannkopf SK42 D=30,5mm

Artikel-Id : 10440711
frühere Artikel-Id : 900442.2305

Clamping device size SK42	manufacturer product line SPANNTOP nova chuck	Clamping type smooth	Nominal diameter (mm) 30.5 Millimeter
Clamping method External clamping	manufacturer product line Hainbuch		

Spannkopf SK42 D=31,0mm

Artikel-Id : 10960636
frühere Artikel-Id : 900442.2310

Clamping device size SK42	manufacturer product line SPANNTOP nova chuck	Clamping type smooth	Nominal diameter (mm) 31 Millimeter
Clamping method External clamping	manufacturer product line Hainbuch		

Spannkopf SK42 D=31,5mm

Artikel-Id : 11066158
frühere Artikel-Id : 900442.2315

Clamping device size SK42	manufacturer product line SPANNTOP nova chuck	Clamping type smooth	Nominal diameter (mm) 31.5 Millimeter
Clamping method External clamping	manufacturer product line Hainbuch		

Spannkopf SK42 D=32,0mm

Artikel-Id : 11029011
frühere Artikel-Id : 900442.2320

Clamping device size SK42	manufacturer product line SPANNTOP nova chuck	Clamping type smooth	Nominal diameter (mm) 32 Millimeter
Clamping method External clamping	manufacturer product line Hainbuch		

Spannkopf SK42 D=32,5mm

Artikel-Id : 10570825
frühere Artikel-Id : 900442.2325

Clamping device size SK42	manufacturer product line SPANNTOP nova chuck	Clamping type smooth	Nominal diameter (mm) 32.5 Millimeter
Clamping method External clamping	manufacturer product line Hainbuch		

Spannkopf SK42 D=33,0mm

Artikel-Id : 10906540
frühere Artikel-Id : 900442.2330

Clamping device size SK42	manufacturer product line SPANNTOP nova chuck	Clamping type smooth	Nominal diameter (mm) 33 Millimeter
Clamping method External clamping	manufacturer product line Hainbuch		

Spannkopf SK42 D=33,5mm

Artikel-Id : 10301000
frühere Artikel-Id : 900442.2335

Clamping device size SK42	manufacturer product line SPANNTOP nova chuck	Clamping type smooth	Nominal diameter (mm) 33.5 Millimeter
Clamping method External clamping	manufacturer product line Hainbuch		

Spannkopf SK42 D=34,0mm

Artikel-Id : 10701239
frühere Artikel-Id : 900442.2340

Clamping device size SK42	manufacturer product line SPANNTOP nova chuck	Clamping type smooth	Nominal diameter (mm) 34 Millimeter
Clamping method External clamping	manufacturer product line Hainbuch		

Spannkopf SK42 D=34,5mm

Artikel-Id : 10966823
frühere Artikel-Id : 900442.2345

Clamping device size SK42	manufacturer product line SPANNTOP nova chuck	Clamping type smooth	Nominal diameter (mm) 34.5 Millimeter
Clamping method External clamping	manufacturer product line Hainbuch		

Spannkopf SK42 D=35,0mm

Artikel-Id : 10013826
frühere Artikel-Id : 900442.2350

Clamping device size SK42	manufacturer product line SPANNTOP nova chuck	Clamping type smooth	Nominal diameter (mm) 35 Millimeter
Clamping method External clamping	manufacturer product line Hainbuch		

Spannkopf SK42 D=35,5mm

Artikel-Id : 10790633
frühere Artikel-Id : 900442.2355

Clamping device size SK42	manufacturer product line SPANNTOP nova chuck	Clamping type smooth	Nominal diameter (mm) 35.5 Millimeter
Clamping method External clamping	manufacturer product line Hainbuch		

Spannkopf SK42 D=36,0mm

Artikel-Id : 10039790
frühere Artikel-Id : 900442.2360

Clamping device size SK42	manufacturer product line SPANNTOP nova chuck	Clamping type smooth	Nominal diameter (mm) 36 Millimeter
Clamping method External clamping	manufacturer product line Hainbuch		

Spannkopf SK42 D=36,5mm

Artikel-Id : 10566161
frühere Artikel-Id : 900442.2365

Clamping device size SK42	manufacturer product line SPANNTOP nova chuck	Clamping type smooth	Nominal diameter (mm) 36.5 Millimeter
Clamping method External clamping	manufacturer product line Hainbuch		

Spannkopf SK42 D=37,0mm

Artikel-Id : 10885831
frühere Artikel-Id : 900442.2370

Clamping device size SK42	manufacturer product line SPANNTOP nova chuck	Clamping type smooth	Nominal diameter (mm) 37 Millimeter
Clamping method External clamping	manufacturer product line Hainbuch		

Spannkopf SK42 D=37,5mm

Artikel-Id : 10184814
frühere Artikel-Id : 900442.2375

Clamping device size SK42	manufacturer product line SPANNTOP nova chuck	Clamping type smooth	Nominal diameter (mm) 37.5 Millimeter
Clamping method External clamping	manufacturer product line Hainbuch		

Spannkopf SK42 D=38,0mm

Artikel-Id : 10376236
frühere Artikel-Id : 900442.2380

Clamping device size SK42	manufacturer product line SPANNTOP nova chuck	Clamping type smooth	Nominal diameter (mm) 38 Millimeter
Clamping method External clamping	manufacturer product line Hainbuch		

Spannkopf SK42 D=39,0mm

Artikel-Id : 10028555
frühere Artikel-Id : 900442.2390

Clamping device size SK42	manufacturer product line SPANNTOP nova chuck	Clamping type smooth	Nominal diameter (mm) 39 Millimeter
Clamping method External clamping	manufacturer product line Hainbuch		

Spannkopf SK42 D=39,5mm

Artikel-Id : 10144098
frühere Artikel-Id : 900442.2395

Clamping device size SK42	manufacturer product line SPANNTOP nova chuck	Clamping type smooth	Nominal diameter (mm) 39.5 Millimeter
Clamping method External clamping	manufacturer product line Hainbuch		

Spannkopf SK42 D=40,0mm

Artikel-Id : 10353788
frühere Artikel-Id : 900442.2400

Clamping device size SK42	manufacturer product line SPANNTOP nova chuck	Clamping type smooth	Nominal diameter (mm) 40 Millimeter
Clamping method External clamping	manufacturer product line Hainbuch		

Spannkopf SK42 D=40,5mm

Artikel-Id : 10782188
frühere Artikel-Id : 900442.2405

Clamping device size SK42	manufacturer product line SPANNTOP nova chuck	Clamping type smooth	Nominal diameter (mm) 40.5 Millimeter
Clamping method External clamping	manufacturer product line Hainbuch		

Fixture

Artikel-Id : 10056854
frühere Artikel-Id : 900442.8211

manufacturer product line SPANNTOP nova chuck • SPANNTOP mini chuck	Clamping method External clamping	manufacturer product line Hainbuch
---	--------------------------------------	--

HAINBUCH GREASE 2085/0003

Artikel-Id : 10825733
frühere Artikel-Id : 373241.1021

manufacturer product line SPANNTOP nova chuck • SPANNTOP mini chuck • TOPlus chuck • TOPlus chuck mini • TOPlus chuck with end-stop	Clamping method External clamping	manufacturer product line Hainbuch
--	--------------------------------------	--