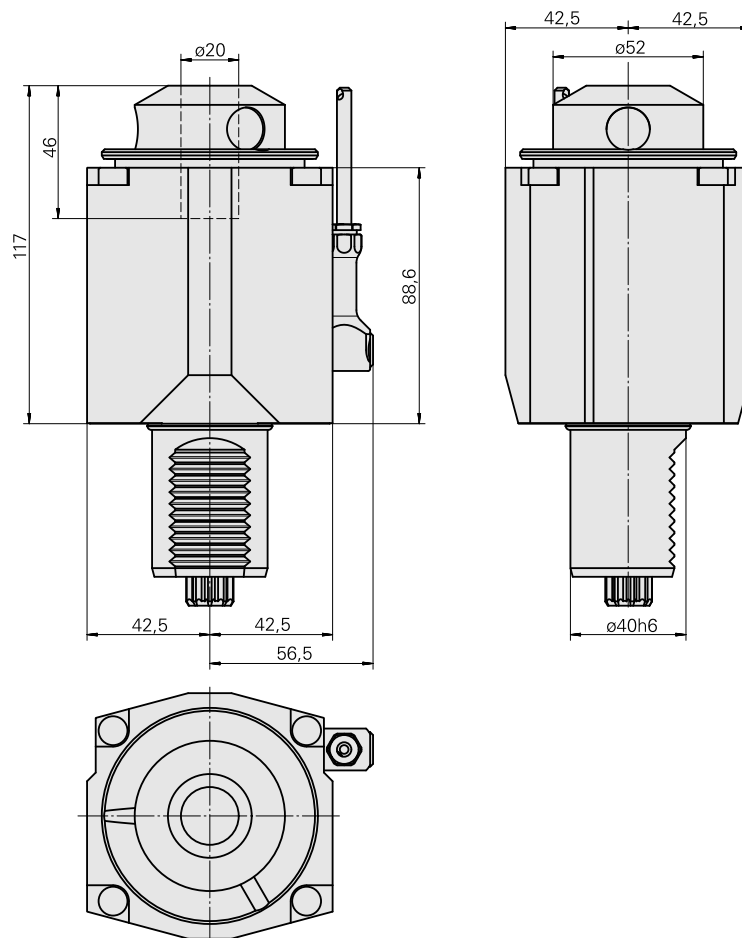
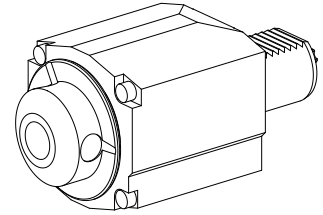


Milling unit VDI 40 1:1 D20

Technical data

Shank VDI	VDI 40
Drive	Spline shaft B17x14
Speed ratio	1:1
Cooling	external and internal
Pressure	80 bar
Mounting	D20
reversible 180°	no
Direction	same as drive direction
X [mm]	117 (4.61")
Y [mm]	–
Z [mm]	–
INDEX TRAUB products	TNA400



Documents

No downloads available for this product