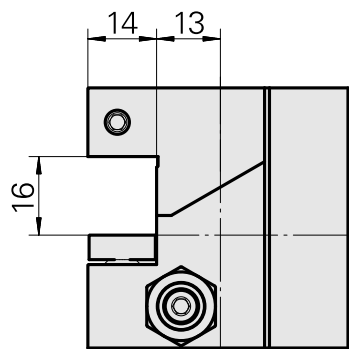
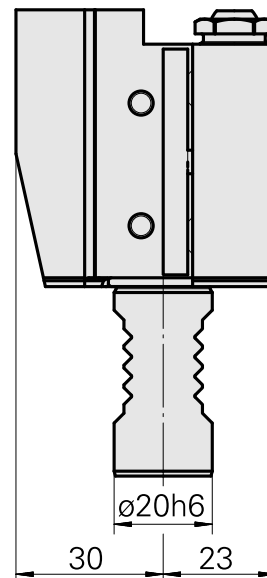
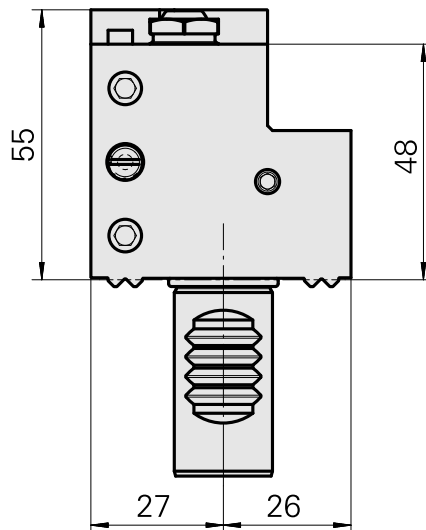
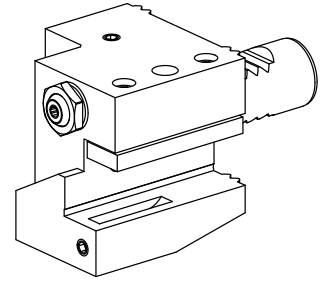


Turning tool holder VDI 20 square 16x16, Form C1/C4

Technical data

Shank VDI	VDI 20
Drive	not live
Fixation VDI	W serration
Cooling	external and internal
Pressure	80 bar
Mounting	Square 16x16
reversible 180°	yes
X [mm]	55 (2.17")
Y [mm]	–
Z [mm]	27 (1.06)
Tool turret type	Radial turret
INDEX TRAUB products	C100



Documents

No downloads available for this product

Accessories

Optional accessories

Other accessories

[BUSHING 10 D x 6 D x 12,5](#)

Product ID : 10670360

Previous product ID : W67530.0824

[Coolant Nozzle](#)

Product ID : 11031912

Previous product ID : W67500.3208

[HOLLOW SCREW M14x1 M14x1](#)

Product ID : 10105238

Previous product ID : W67530.0818

[Sealing kit](#)

Product ID : 12181693

Previous product ID :

[Blanking plug D12](#)

Product ID : 10532667

Previous product ID : W00015.0021
