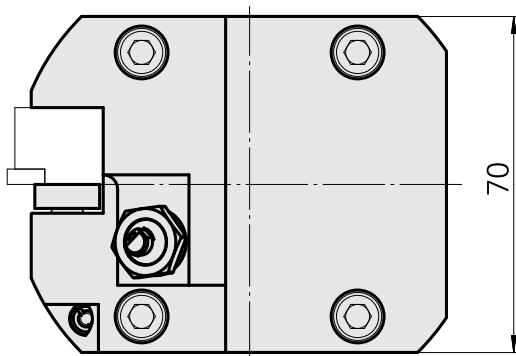
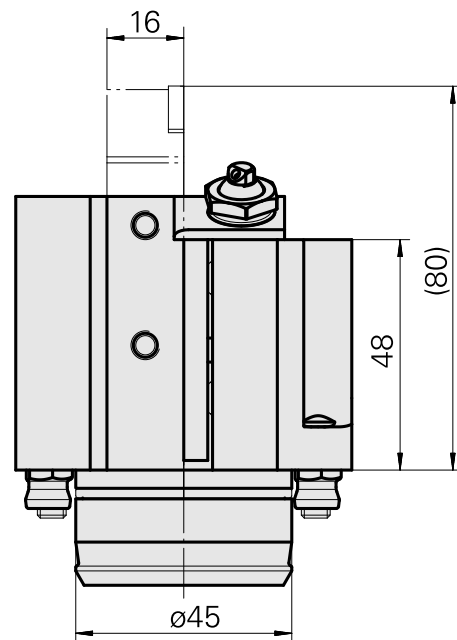
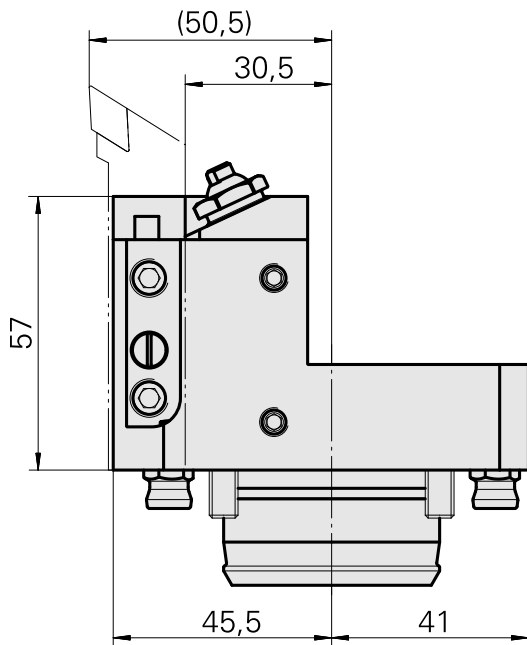
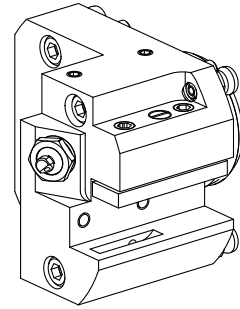


Turning tool holder KPS 45 square 16x16

Technical features

Shank KPS	KPS 45
Drive	not live
Cooling	external and internal
Mounting	Square 16x16
Pressure	80 bar
X [mm]	57 (2.24")
Y [mm]	-
Z [mm]	45.5 (1.79)
INDEX TRAUB products	TNL32 • TNL32-11



Documents

No downloads available for this product

Accessories

Optional accessories

Other accessories

[BUSHING 10 D x 6 D x 12,5](#)

Product ID : 10670360

Previous product ID : W67530.0824

[HOLLOW SCREW M14x1](#)

Product ID : 10105238

Previous product ID : W67530.0818

[Ball nozzle Kugel D10 - Bohrung D2 40°](#)

Product ID : 10072335

Previous product ID : 910693
