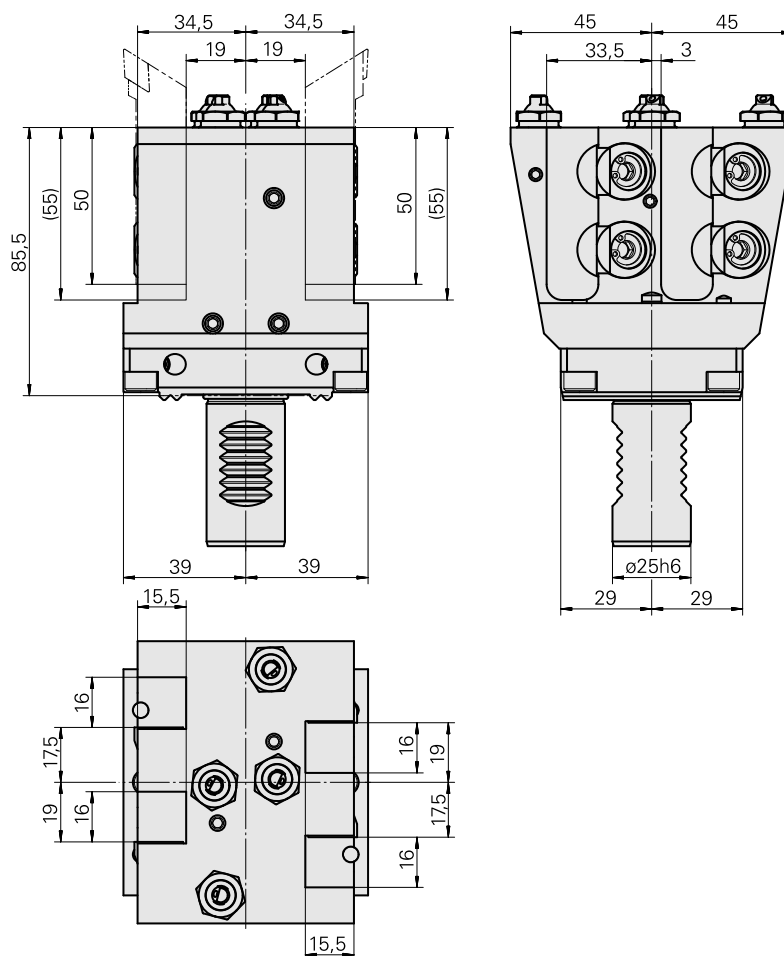


Turning tool holder VDI 25 square 16x16, double, both sides

Technical data

Shank VDI	VDI 25
Drive	not live
Fixation VDI	W serration
Cooling	external and internal
Pressure	80 bar
Mounting	Square 16x16
reversible 180°	yes
X [mm]	85.5 (3.37")
Y [mm]	+3 +33.5 (+0.12 +1.32)
Z [mm]	19 (0.75)
INDEX TRAUB products	G220 • G220.3 • TNX220.3 • TNX200.3 • G200.3 • TNX160.2



Documents

No downloads available for this product

Accessories

Optional accessories

Other accessories

[Sealing kit](#)

Product ID : 12181692

Previous product ID :

[PLUG 10,5 D MIT O-RING 479105.0801](#)

Product ID : 10823291

Previous product ID : W67221.4198

[HOLLOW SCREW M14x1 M14x1](#)

Product ID : 10105238

Previous product ID : W67530.0818

[BUSHING 10 D x 6 D x 12,5](#)

Product ID : 10670360

Previous product ID : W67530.0824

[Nozzle Kugel D10 - Bohrung D2 40°](#)

Product ID : 10072335

Previous product ID : 910693
