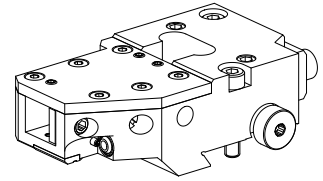


## Grooving tool and stop holder MS32/MS40

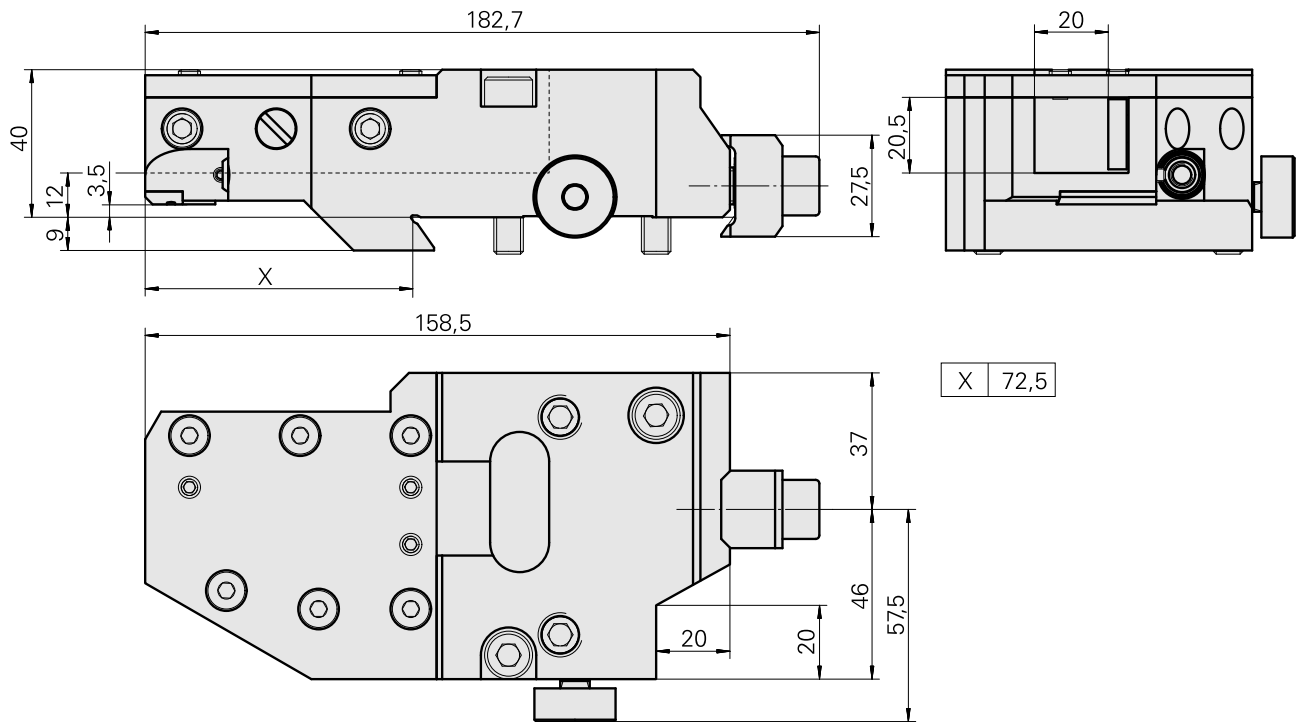
### Technical data

|                             |   |
|-----------------------------|---|
| <b>Slide system MS</b>      | MS32/MS40                               |
| <b>Drive</b>                | not live                                |
| <b>Fixation MS</b>          | Dovetail                                |
| <b>Cooling</b>              | external and internal                   |
| <b>Pressure</b>             | 80 bar                                  |
| <b>Direction</b>            | right-handed run                        |
| <b>Mounting</b>             | Square 20x20                            |
| <b>X [mm]</b>               | 72.5 (2.85")                            |
| <b>Y [mm]</b>               | –                                       |
| <b>Z [mm]</b>               | 12 (0.47)                               |
| <b>INDEX TRAUB products</b> | MS32C • MS32-6.2 • MS40-6 •<br>MS32-6.3 |



### Note

When there is rear end machining with 3 fixed tool holders, mounting occurs in position 6.2!



---

## Documents

No downloads available for this product

## Accessories

### Optional accessories

#### Tool holder accessories

#### [Angle, Height 4 mm, Width 4 mm](#)

Product ID : 10328835

Previous product ID : WK1110.16

TH accessories  
category  
Compensation bracket

Mounting  
Square 20x20

#### Other accessories

#### [SOCKET HEAD SCREW](#)

Product ID : 10559508

Previous product ID : 410260.0412

---

#### [BALL SPRAY NOZZLE 12D/M6](#)

Product ID : 10602750

Previous product ID : 474550.0101

---

#### [COVER \(Anschlagdeckel/Verschleißt.\)](#)

Product ID : 10900388

Previous product ID : W95061.5214

---

#### [Countersunk screw M 4x 8/T20 verzinkt 402314 8](#)

Product ID : 10586100

Previous product ID : 410362.0408

---