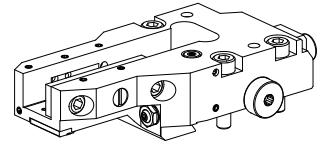


Grooving tool and stop holder MS32/MS40

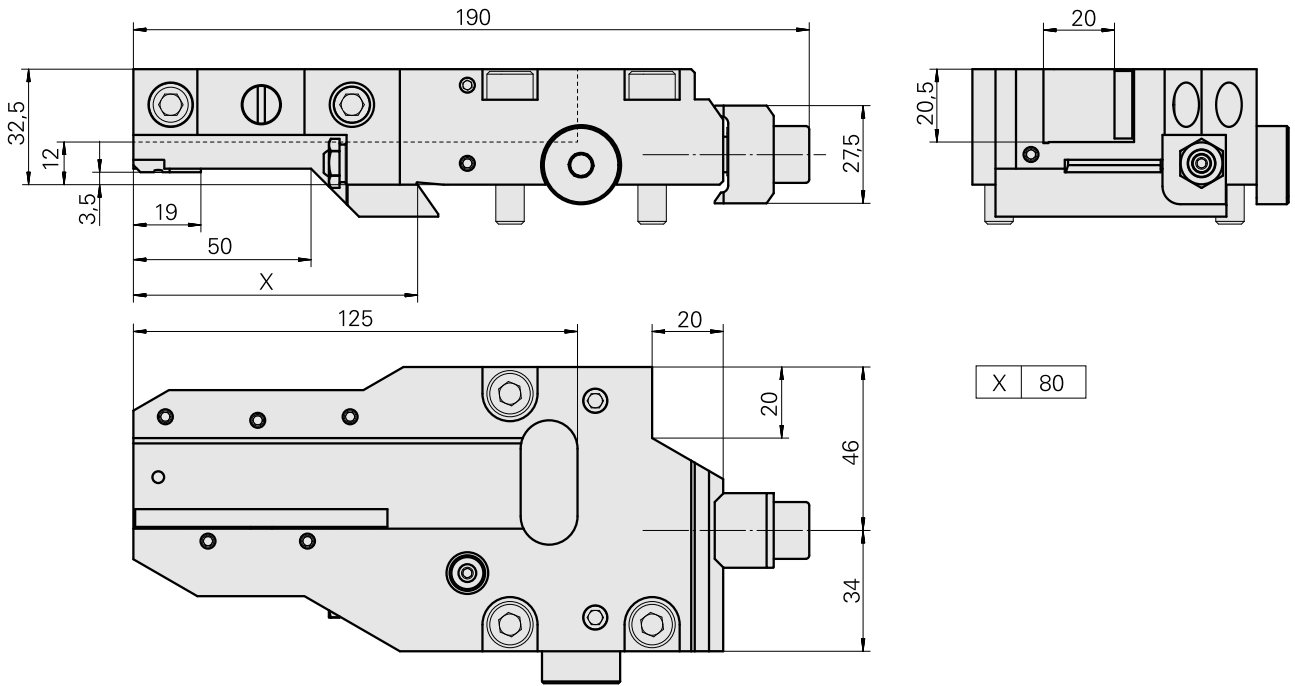
Technical data

Slide system MS	MS32/MS40
Drive	not live
Fixation MS	Dovetail
Cooling	external and internal
Pressure	80 bar
Direction	right-handed run
Mounting	Square 20x20
X [mm]	80 (3.15")
Y [mm]	–
Z [mm]	12 (0.47)
INDEX TRAUB products	MS40-8



Note

Can be used only in position 7.1! Stop plate is not included!



Documents

No downloads available for this product

Accessories

Optional accessories

Tool holder accessories

[Tube, L=100 mm \(3.93"\)](#)

Product ID : 10303677

Previous product ID : W9990910

TH accessories
category
Cooling lubricant tube

Mounting
M5

[Angle, Height 4 mm, Width 4 mm](#)

Product ID : 10328835

Previous product ID : WK1110.16

TH accessories
category
Compensation bracket

Mounting
Square 20x20

Other accessories

[SOCKET HEAD SCREW](#)

Product ID : 10559508

Previous product ID : 410260.0412

[Coolant nozzle D10; M6](#)

Product ID : 10562562

Previous product ID : W00019.0153

[Hollow screw M12x1](#)

Product ID : 10757766

Previous product ID : W02013.0001

Bush 4x8x12

Product ID : 10831938

Previous product ID : W02010.0002

Ball nozzle D8xM5

Product ID : 10392450

Previous product ID : W02019.0002

Stop plate

Product ID : 12124573

Previous product ID :

Countersunk screw M 4x 8/T20 verzinkt 402314 8

Product ID : 10586100

Previous product ID : 410362.0408

COVER (Anschlagdeckel/Verschleißt.)

Product ID : 10900388

Previous product ID : W95061.5214
