

Automatic Tool Calculation

Technical data

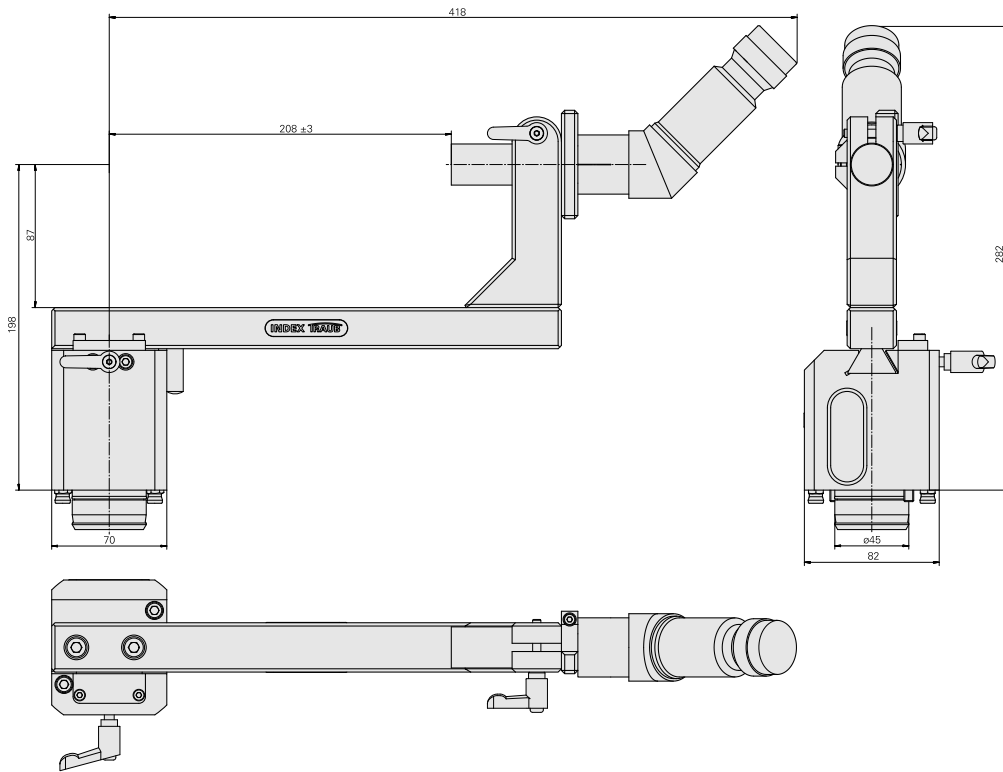


Shank KPS	KPS 45
Drive	not live
INDEX TRAUB products	TNL20 • TNL32 • TNL32-11 • TNL32-11 compact • TNL20-11 • TNL32 compact • TNK40.2-10 • TNK40.2-8 • TNL20.2
TH accessories category	Automatic Tool Calculation
INDEX TRAUB products	TNL20 • TNL32 • TNL32-11 • TNL32-11 compact • TNL20-11 • TNL32 compact • TNK40.2-10 • TNK40.2-8 • TNL20.2

Note

Tool measurement in the machine. An INDEX service technician is required before initial commissioning of Automatic Tool Calculation.

Tool measurement in the machine. An INDEX service technician is required before initial commissioning of Automatic Tool Calculation.



Documents

Product notes

[DE \(pdf\)](#)

[EN \(pdf\)](#)

[FR \(pdf\)](#)

[DE \(pdf\)](#)

[EN \(pdf\)](#)

[FR \(pdf\)](#)

Accessories

Optional accessories

Tool holders with compact shank

[Setting tool holder KPS 45](#)

Product ID : 12108774

Previous product ID :

Shank KPS KPS 45	Drive not live	reversible 180° yes	X [mm] 100 (3.94")
Y [mm] 0	Z [mm] 44 (1.73)	INDEX TRAUB products TNL20 • TNL20-11 • TNL20-9 • TNL20-9B • TNK40.2-8 • TNK40.2-10 • TNL32 • TNL32 compact • TNL32-11 • TNL32-11 compact • TNL20.2	