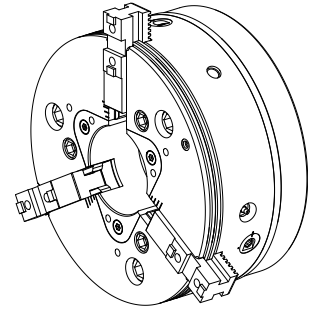


3-jaw chuck

Technical data

| | |
|----------------------------------|--------------------------------|
| INDEX TRAUB products | G420 • G400.2 • G500 • G520 |
| Spindle clearance | 120mm |
| Machining side | Main spindle • Counter spindle |
| manufacturer product line | ROTA THW PLUS 315-104 A11 |
| Spindle mounting | KK11 |
| Clamping device size | 315 |
| manufacturer product line | Schunk |



No 3-side view is currently available for this product

Documents

No downloads available for this product