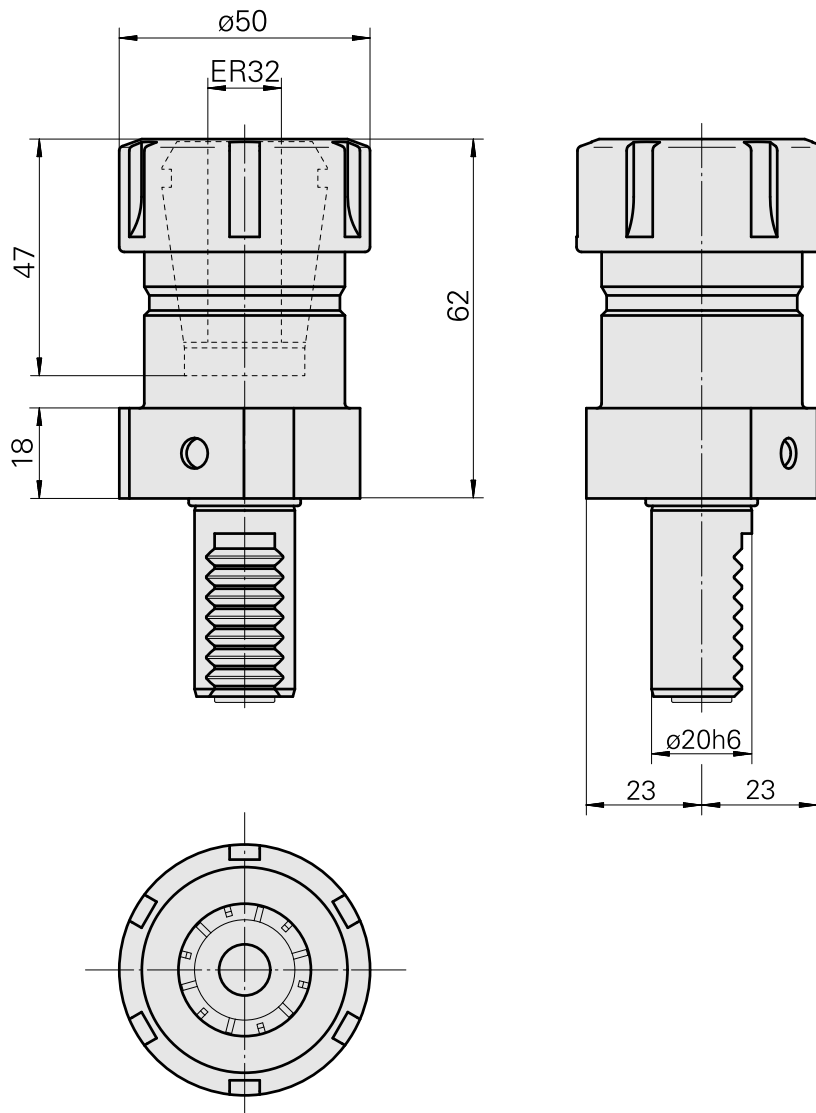
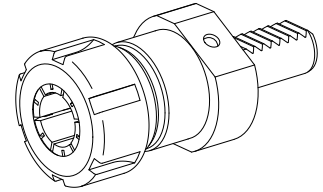


## Drilling tool holder VDI 20 ER32, Form E4

### Technical data

|              |            |
|--------------|------------|
| Shank VDI    | VDI 20     |
| Drive        | not live   |
| Fixation VDI | none       |
| Cooling      | internal   |
| Mounting     | ER32       |
| X [mm]       | 62 (2.44") |
| Y [mm]       | -          |
| Z [mm]       | -          |



## Documents

No downloads available for this product

## Accessories

### Optional accessories

#### Other accessories

#### [Clamping collet](#)

Product ID : 10187712

Previous product ID : 901930.6---

---

#### [tapping tool collet ET-1-32](#)

Product ID : 10640099

Previous product ID : 3242--

---

#### [tapping tool collet](#)

Product ID : 10601144

Previous product ID : WZ9990.9509F

---

#### [Collet chuck](#)

Product ID : 10659178

Previous product ID : W999068-

---