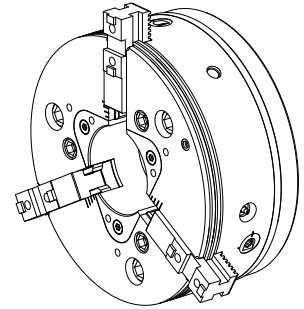


## 3-jaw chuck

### Technical data

<b>INDEX TRAUB products</b>	B500 • TNA500.2 • B500.3 • TNA500.3
<b>Spindle clearance</b>	102mm
<b>Machining side</b>	Main spindle
<b>manufacturer product line</b>	ROTA THW PLUS 315-104 A11
<b>Spindle mounting</b>	KK11
<b>manufacturer product line</b>	Schunk



No 3-side view is currently available for this product

## **Documents**

No downloads available for this product