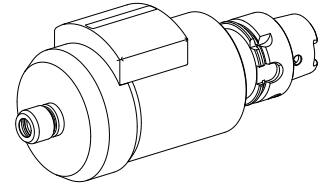


## Fluid spindle HSK 40 A ER11, up to 55,000 rpm

### Technical data

<b>Shank HSK</b>	HSK 40
<b>Form HSK</b>	A
<b>Mounting</b>	ER11
<b>Pressure</b>	40 bar
<b>X [mm]</b>	109 (4,3")
<b>INDEX TRAUB products</b>	G200.2 • G220 • G220.3 • TNX220.3

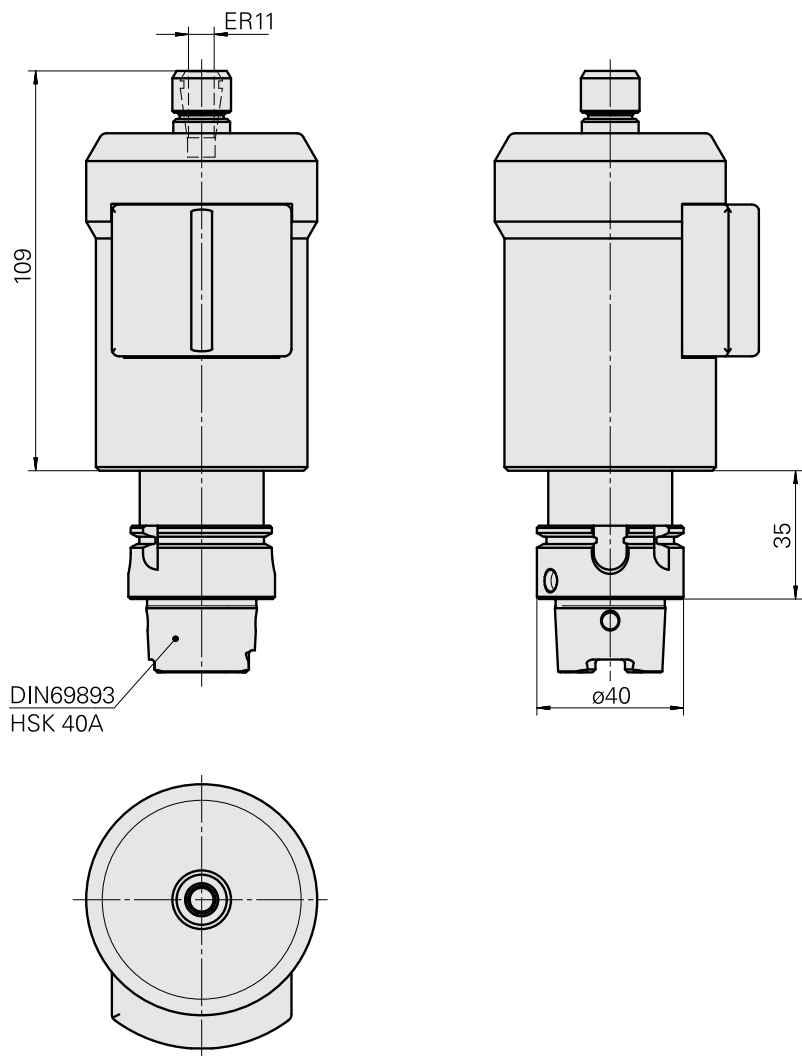


### Note

The maximum permitted pressure is 40 bar! The stated speeds are reference values. The actual speed depends on the flow rate and the pressure at the transfer position, and on the type of the cooling lubricant! During machining, the speed must not fall more than 10% below the idle speed.

If this limit is exceeded, the load limit is surpassed, and the fluid spindle must not continue to operate.

Failure to comply may result in short-term spindle failures.



## Documents

No downloads available for this product

## Accessories

Required for operation

### [Socket wrench](#)

Product ID : 10532354

Previous product ID : WS7400.0010

TH accessories  
category  
Tool for KSS adapter

Mounting  
HSK 40 A/C

### [CRT screen, Display, external](#)

Product ID : 10926895

Previous product ID : W9991093

TH accessories  
category  
Accessories for fluid  
spindle

## Optional accessories

### **Tool holder accessories**

#### [Cover](#)

Product ID : 12100799

Previous product ID :

TH accessories  
category  
Accessories for fluid  
spindle

[Spanner](#)

Product ID : 12126975

Previous product ID :

TH accessories  
category  
Accessories for fluid  
spindle

[Battery, battery for fluid spindle](#)

Product ID : 10648494

Previous product ID : W9991143

TH accessories  
category  
Accessories for fluid  
spindle

[Clamping nut](#)

Product ID : 10213109

Previous product ID : W9991215

TH accessories category Clamping nut	Mounting ER11	Collet type ER 11	Clamping nut type Internal thread hf spindles
--	------------------	----------------------	---

[Spanner](#)

Product ID : 10985217

Previous product ID : W9991216

TH accessories category Tool	Mounting ER11	Collet type ER 11	Clamping nut type Internal thread hf spindles
------------------------------------	------------------	----------------------	---

Tools for Collet chucks  
Clamping nut wrench

[Coolant adapter kit](#)

Product ID : 10581780

Previous product ID : WS7400.0020

TH accessories category Cooling lubricant transfer set	Mounting HSK 40 A/C
---	------------------------

**Other accessories**

[Clamping collet](#)

Product ID : 10086829

Previous product ID : 901930.0---

---

[Collet chuck](#)

Product ID : 10132309

Previous product ID : W999064-

---