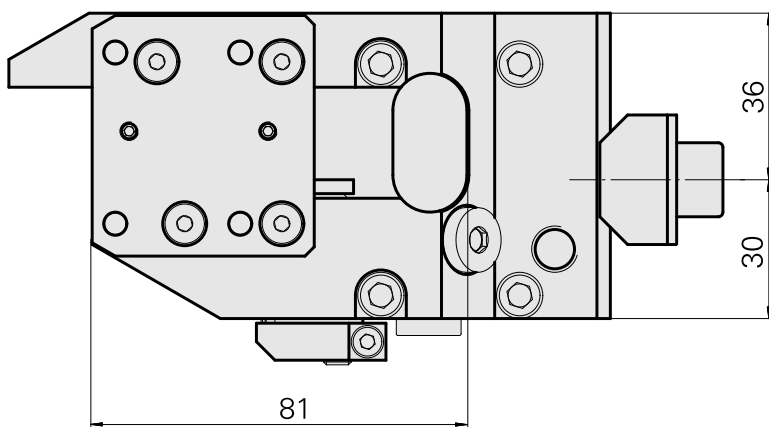
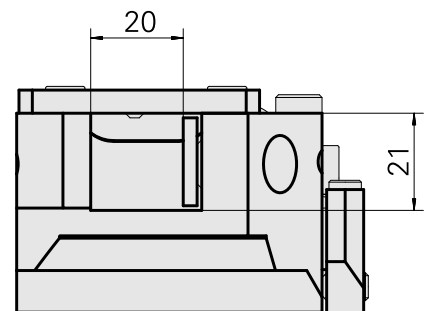
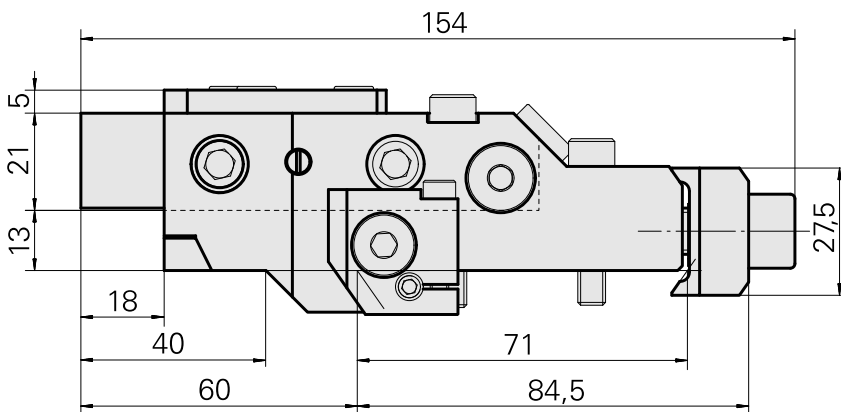


Turning tool holder (G)

Technical data

| | |
|-----------------------------|---|
| Slide system MS | MS16/MS22 |
| Drive | not live |
| Fixation MS | Dovetail |
| Cooling | external |
| Pressure | 20 bar |
| Direction | right-handed run |
| Mounting | Square 20x20 |
| X [mm] | 60 (2.36") |
| Y [mm] | – |
| Z [mm] | 13 (0.51) |
| INDEX TRAUB products | A100 • MS22-6 • MS22-8 • MS24-6 • MS24-8 |



Documents

No downloads available for this product

Accessories

Optional accessories

Tool holder accessories

[Plate, height 4 mm \(0.15"\)](#)

Product ID : 10508297

Previous product ID : W9990082

TH accessories
category
Compensation plate

Mounting
Square 20x20