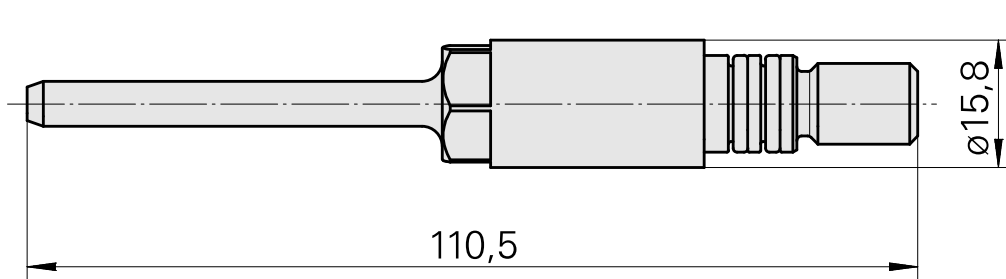
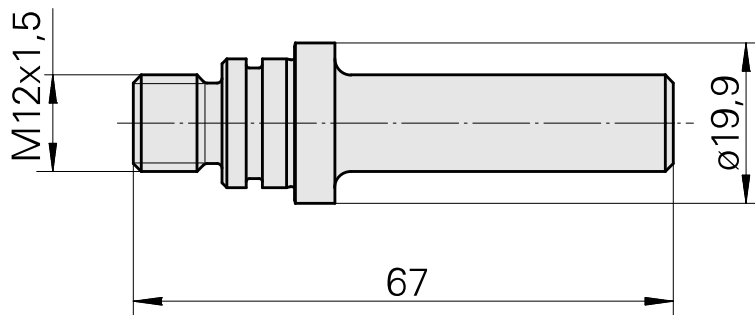
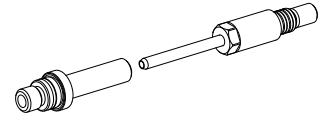


## CL feeder, fixed TNL12.2, Back/front working unit

### Technical data

There are currently no additional technical features stored for this product



## **Documents**

No downloads available for this product

## **Accessories**

Optional accessories

**Other accessories**

[Spanner](#)

Product ID : 12083203

Previous product ID :

---