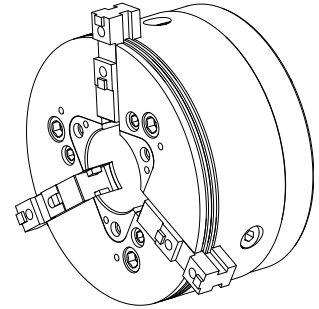


## Jaw chuck

### Technical data

<b>INDEX TRAUB products</b>	G200.3 • G220.3 • G320.3 compact
<b>Spindle clearance</b>	90mm
<b>Machining side</b>	Main spindle • Counter spindle
<b>manufacturer product line</b>	ROTA THW PLUS 260-81 A8
<b>Spindle mounting</b>	KK 8
<b>Clamping device size</b>	260
<b>manufacturer product line</b>	Schunk



No 3-side view is currently available for this product

## **Documents**

No downloads available for this product