

## Housing

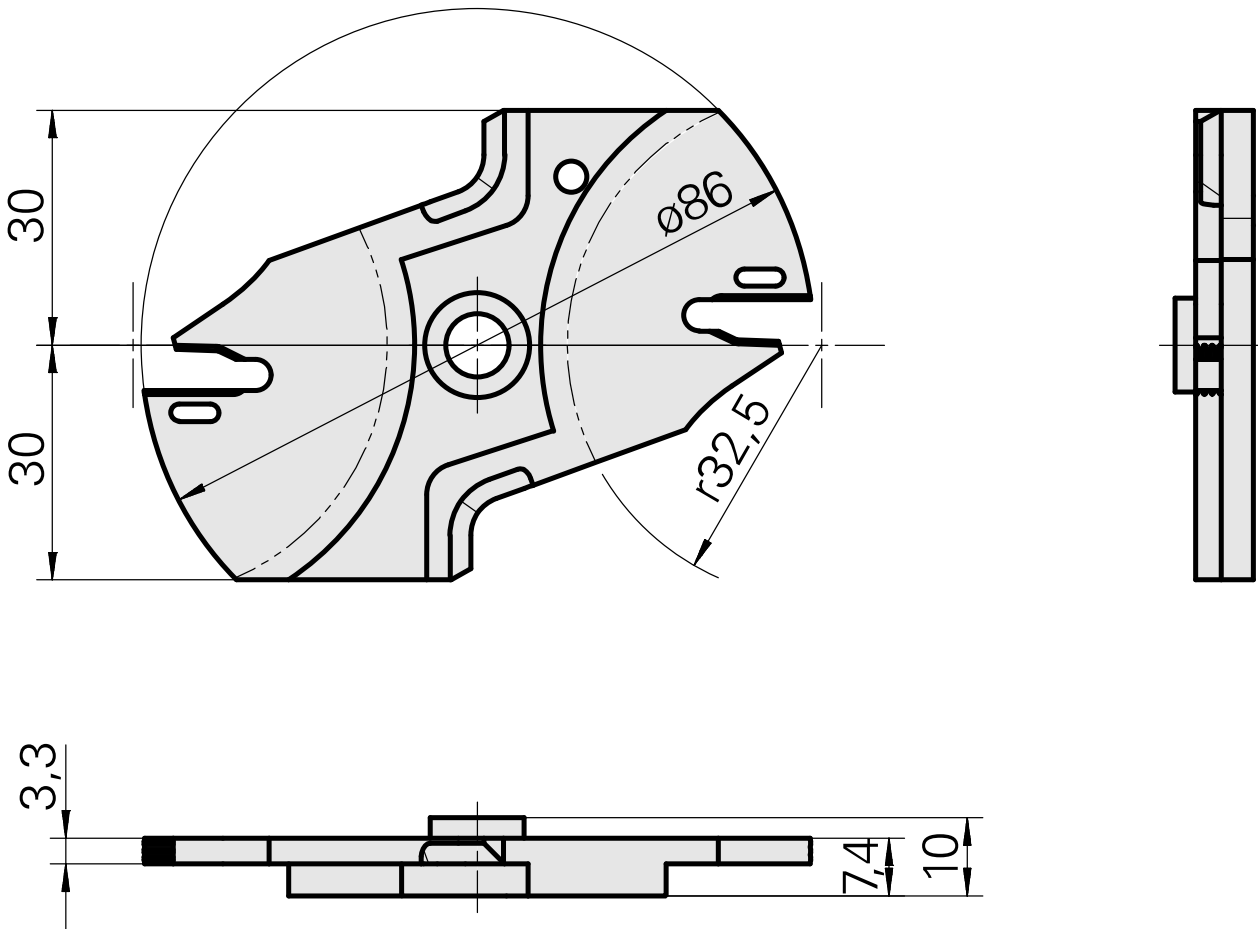
### Technical data

TH accessories category

Cutting tools

Mounting

Löcher System



## Documents

No downloads available for this product

## Accessories

### Optional accessories

#### Tool holder accessories

##### [Assembly device](#)

Product ID : 12038458

Previous product ID :

TH accessories  
category  
Cutting tools

Mounting  
Löcher System

##### [Housing](#)

Product ID : 12035621

Previous product ID :

TH accessories  
category  
Cutting tools

Mounting  
Löcher System

##### [Housing](#)

Product ID : 12035622

Previous product ID :

TH accessories  
category  
Cutting tools

Mounting  
Löcher System