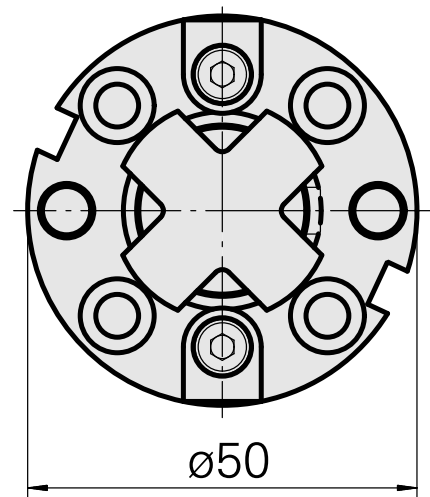
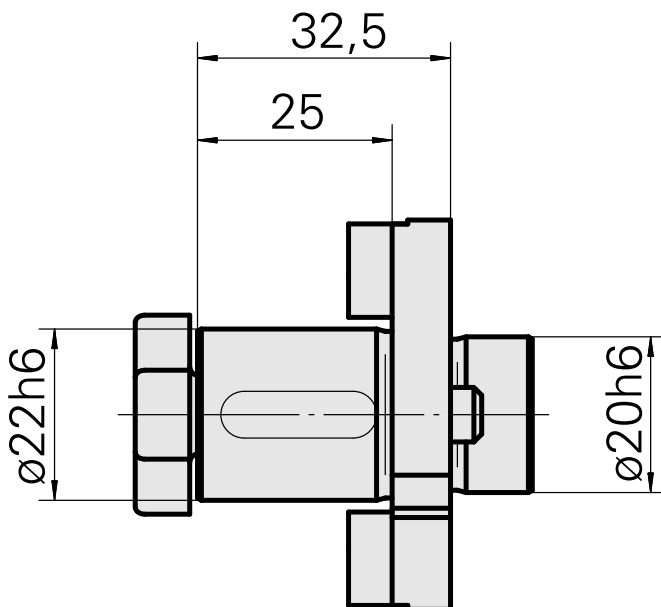
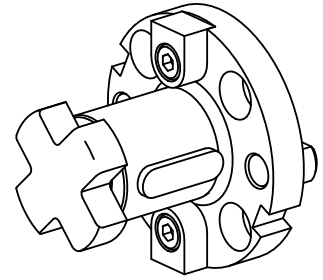


## Milling cutter holding block Milling sha

### Technical data

<b>Drive</b>	not live
<b>Mounting</b>	Milling shaft D22
<b>X [mm]</b>	32.5 (1.28")
<b>Y [mm]</b>	–
<b>Z [mm]</b>	–
<b>INDEX TRAUB products</b>	A100 • C42/65 • G160 • G300 • G400 • MS32C • MS52C • V100 • V200 • A200-6 • ABC • B400 • C100 • C200 • G200 • G200.2 • G220 • G250 • MS16-6 • MS22-6 • MS22-8 • MS32-6.2 • MS40-6 • MS40-8 • TNX65/42 • V160C • V160G • V300 • TNA400.2 • ABC.2 • G300.2 • G320.2 • B400.3 • TNA400.3



---

## Documents

No downloads available for this product

## Accessories

Required for operation

### [mill arbor wrench](#)

Product ID : 10428155

Previous product ID : 203020.1220

TH accessories  
category  
Tool

Mounting  
Milling shaft D22

Tools for Collet chucks  
Mill arbor wrench

### Optional accessories

#### Tool holder accessories

### [Screw](#)

Product ID : 10638143

Previous product ID : 250122.1028

TH accessories  
category  
Cutter tightening screw

Mounting  
M10

#### Other accessories

### [Ring](#)

Product ID : 10398855

Previous product ID : 251390.----

---

### [Ring](#)

Product ID : 10169490

Previous product ID : 251391.----

---