

WFB 20-12 for VC.. 1103.., left, without gripper groove

Technical data

TH accessories category

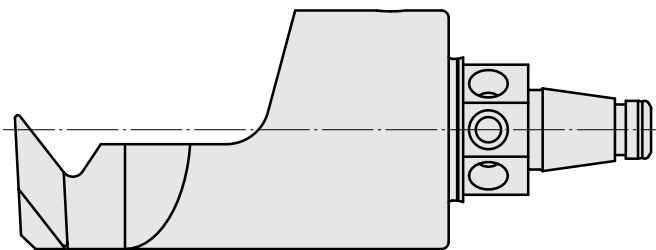
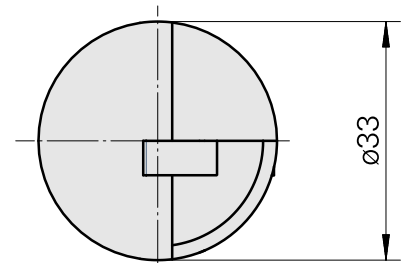
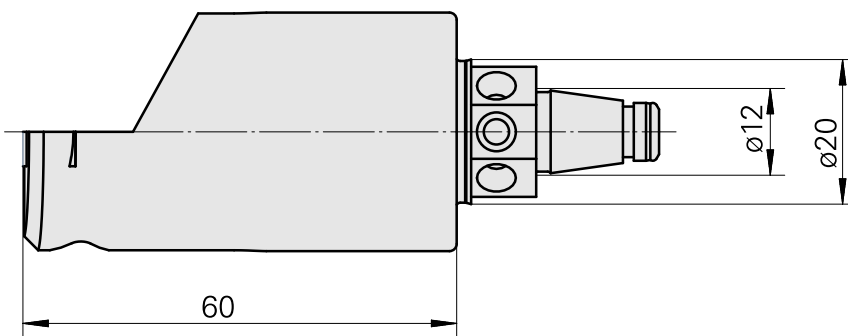
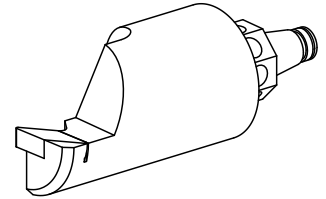
WFB 20-12

Mounting

for VC.. 1103..

Quick change inserts

Turning tool holder



Documents

No downloads available for this product

Accessories

Optional accessories

Other accessories

[clamping screw](#)

Product ID : 12128417

Previous product ID :
