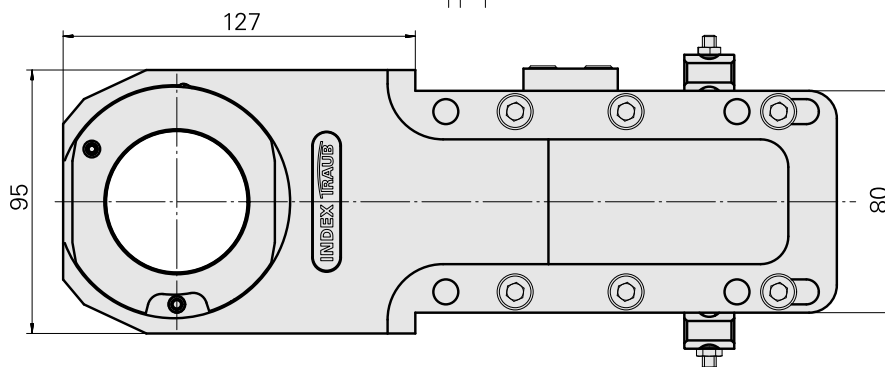
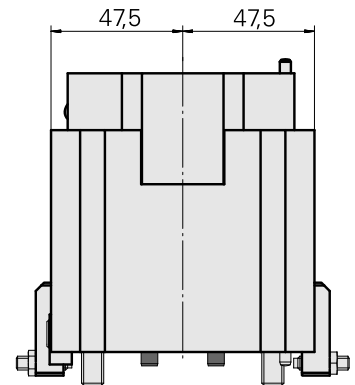
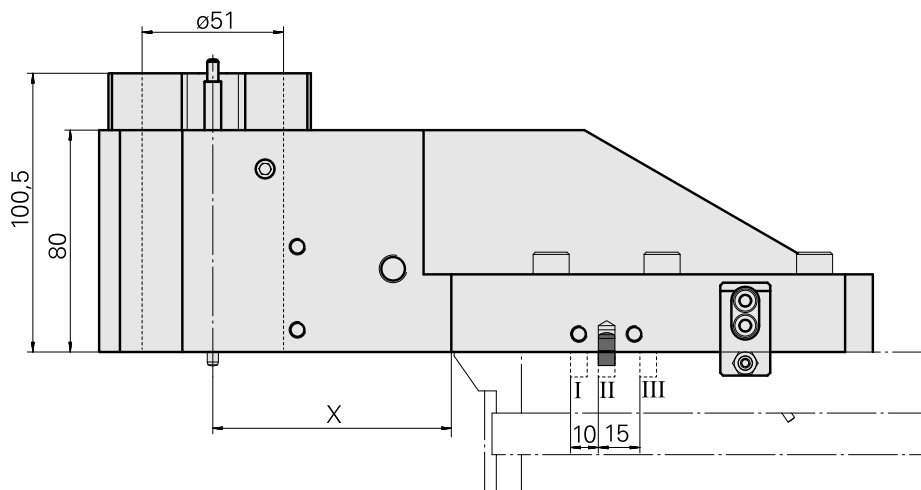
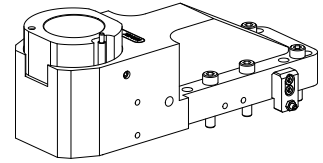


## Basic holder MS32/MS40 Hydraulic expansi

### Technical data

<b>Slide system MS</b>	MS32/MS40
<b>Drive</b>	not live
<b>Fixation MS</b>	Splined key/pin
<b>Mounting</b>	Hydraulic expansion chuck D51
<b>X [mm]</b>	86 (3.39")
<b>Y [mm]</b>	–
<b>Z [mm]</b>	0 0
<b>INDEX TRAUB products</b>	MS40-8



	I	II	III
X	96	86	71

---

## Documents

### Product notes

[DE \(pdf\)](#)

[EN \(pdf\)](#)

[FR \(pdf\)](#)

[FR \(pdf\)](#)

[EN \(pdf\)](#)

[DE \(pdf\)](#)

## Accessories

### Optional accessories

#### Tool holder accessories

#### [Reductions Hydraulic Expansion D51/ D36](#)

Product ID : 10455757

Previous product ID : W95281.1550

TH accessories  
category  
Reductions Hydraulic  
Expansion

Mounting  
D51

Tool mounting  
D36

#### Other accessories

#### [Not defined Standard MS52](#)

Product ID : 10397970

Previous product ID : WM3700.3110F

---