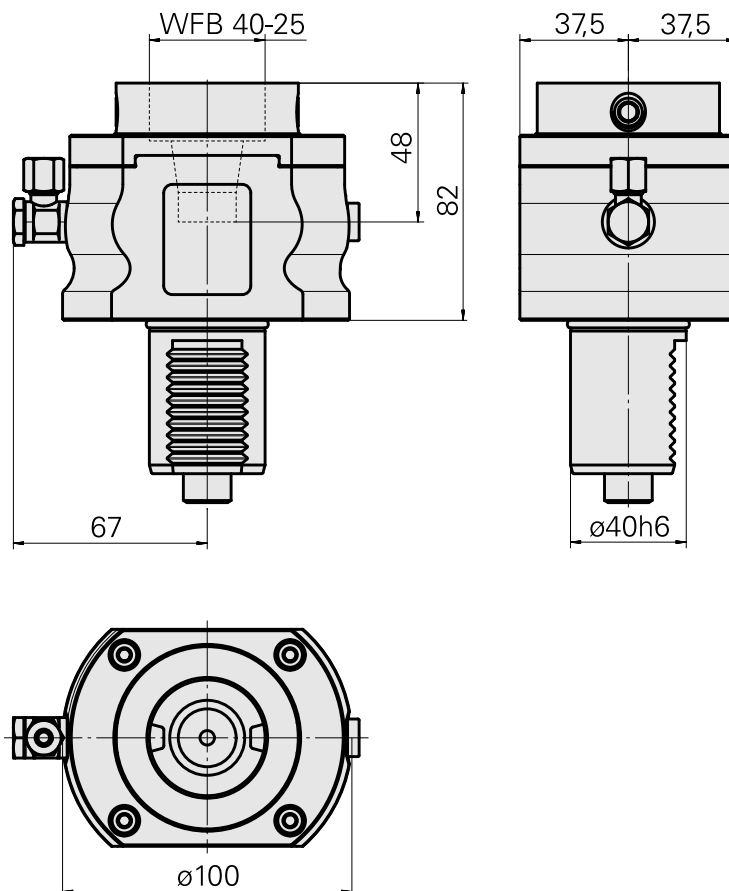
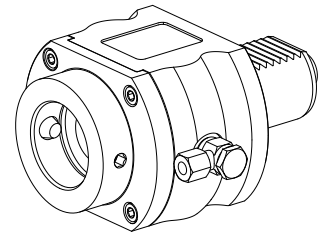


Milling unit VDI 40 1:1 WFB 40-25

Technical data

Shank VDI	VDI 40
Drive	Spline shaft B17x14
Fixation VDI	none
Speed ratio	1:1
Cooling	external
Pressure	80 bar
Mounting	WFB 40-25
reversible 180°	no
Direction	same as drive direction
X [mm]	82 (3.23")
Y [mm]	-
Z [mm]	-
INDEX TRAUB products	TNA400



Documents

Product notes

[DE \(pdf\)](#)

[EN \(pdf\)](#)

[FR \(pdf\)](#)

[PT \(pdf\)](#)