
Blanking plug HSK 40 A

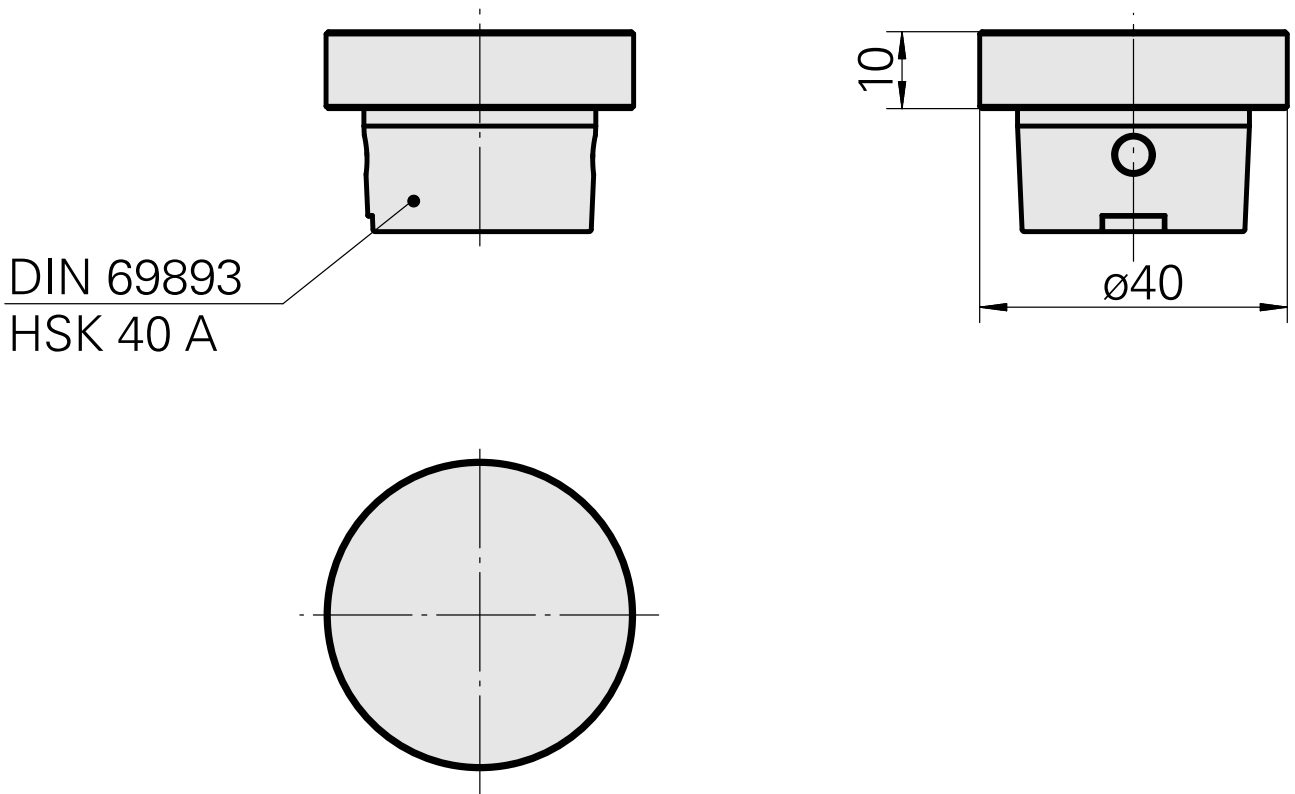
Technical data

| | |
|----------------------|--|
| Shank HSK | HSK 40 |
| Form HSK | A |
| X [mm] | 10 (0.39") |
| INDEX TRAUB products | G160 • V100 • G200.2 • R200 • G220.3 • TNX220.3 |



Note

No rotation permitted!



Documents

No downloads available for this product