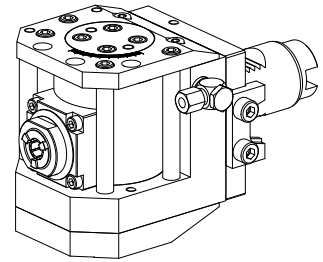


Drilling unit VDI 40 1:1 ER16, 90°

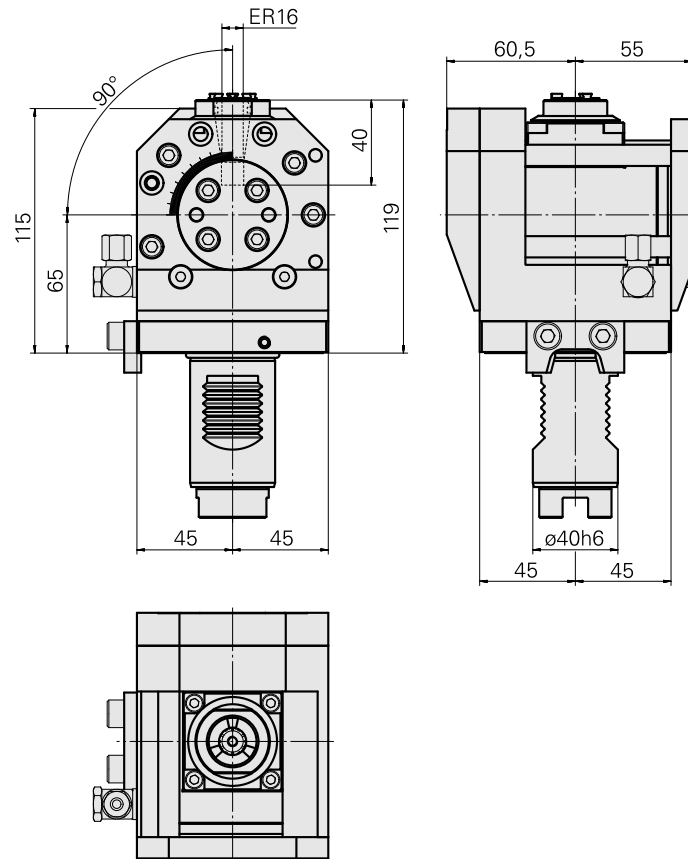
Technical data

Shank VDI	VDI 40
Drive	Dog clutch
Fixation VDI	Vee bar
Speed ratio	1:1
Cooling	external
Pressure	80 bar
Mounting	ER16
reversible 180°	yes
Direction	same as drive direction
X [mm]	65 (2.56")
Y [mm]	–
Z [mm]	–
INDEX TRAUB products	G400



Note

Tool holders specially for INDEX G400!



Documents

No downloads available for this product

Accessories

Required for operation

[Spanner](#)

Product ID : 11006246

Previous product ID : 490219.3161

TH accessories category Tool	Mounting ER16	Collet type ER 16	Clamping nut type Male thread
Tools for Collet chucks Clamping nut wrench			

Optional accessories

Tool holder accessories

[Clamping nut](#)

Product ID : 10911008

Previous product ID : 901939.5161

TH accessories category Clamping nut	Mounting ER16	Collet type ER 16	Clamping nut type Male thread
---	------------------	----------------------	----------------------------------

[Coolant tube, L=100 mm \(3.93"\)](#)

Product ID : 10346684

Previous product ID : W9990559

TH accessories category Cooling lubricant tube	Mounting M6
---	----------------

Other accessories

[Clamping collet](#)

Product ID : 10834596
Previous product ID : 901930.1---

[Clamping collet](#)

Product ID : 10589709
Previous product ID : W99903--

[tapping tool collet ET-1-16](#)

Product ID : 10542491
Previous product ID : 3230--

[tapping tool collet](#)

Product ID : 10865233
Previous product ID : WZ9990.9506F

[Collet chuck](#)

Product ID : 10870393
Previous product ID : W999065-
